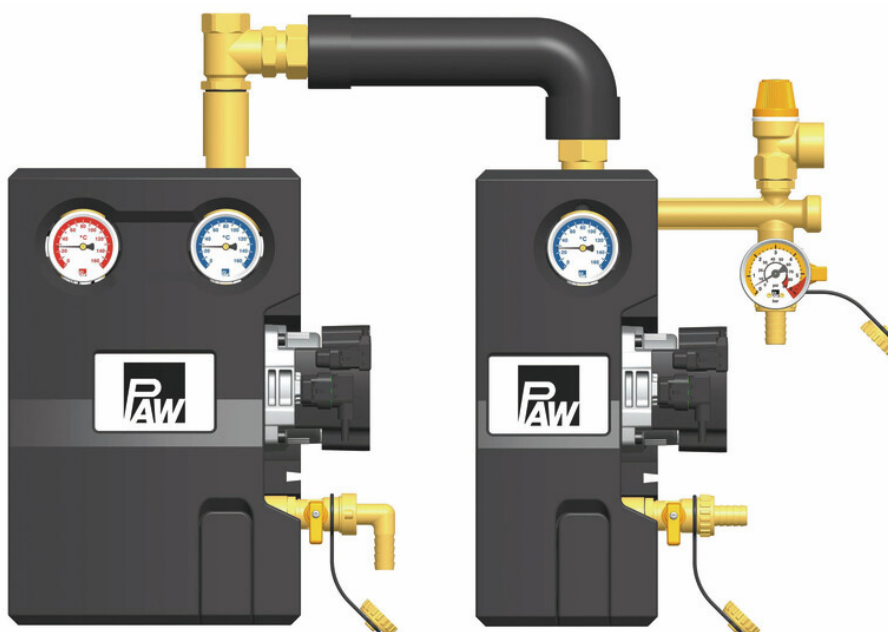
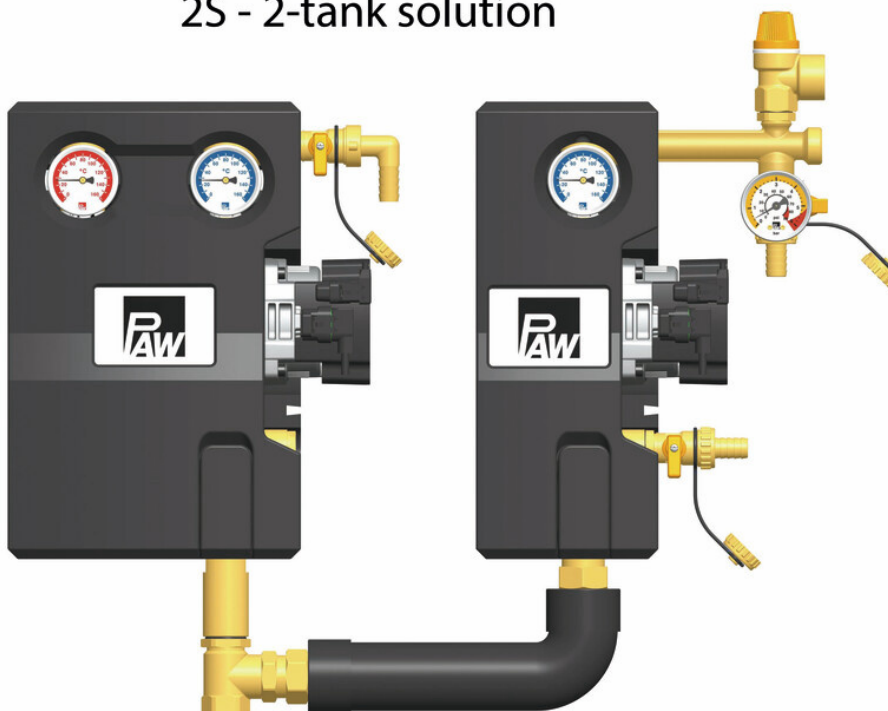




Installation and Operation Instructions Solar stations SolarBloC® midi Basic 3-line - DN 20



2S - 2-tank solution



2D - 2-roof solution

Table of Contents

1	General Information.....	3
1.1	About these instructions.....	3
1.2	About this product.....	3
1.3	Designated use.....	4
2	Safety instructions.....	5
3	Mounting and installation [specialist].....	7
4	Commissioning [specialist].....	11
4.1	Flushing and filling the solar circuit.....	12
4.2	Preparations before flushing.....	15
4.3	Flushing and filling.....	16
4.4	Setting the solar installation.....	21
5	Maintenance [specialist].....	22
5.1	Replacement / adjustment of the pressure gauge.....	22
5.2	Draining the solar system.....	23
5.3	Deinstallation.....	24
6	Scope of delivery [specialist].....	25
6.1	2-line station.....	25
6.2	1-line station.....	27
7	Technical data.....	29
7.1	Dimensional drawing SolarBloC® midi Basic 3-line - two-tank solution.....	30
7.2	Dimensional drawing SolarBloC® midi Basic 3-line - two-roof solution.....	31
7.3	Pressure drop and pump characteristic curve.....	32
8	Function of the check valves [Expert].....	33
9	Disposal.....	35
10	Commissioning report.....	36
11	Notes.....	37

1 General Information



Carefully read these instructions before installation and commissioning.

Save these instructions in the vicinity of the installation for future reference.

1.1 About these instructions

These instructions describe the installation, commissioning, function and operation of the 3-line solar station SolarBloC® for installations with two tanks (2S) or two roof solutions / two collectors (2D).

The chapters called [specialist] are intended for specialists only.

For other components of the solar installation, such as pumps, collectors, storage tanks, expansion tanks and controllers, please observe the instructions of the corresponding manufacturer.

1.2 About this product

The station is a premounted group of fittings checked for tightness and used to circulate the solar fluid in the solar circuit. It is mounted on wall brackets and fixed with clips.

The station contains important components and safety devices for the operation of the installation:

- Three ball valves in the flow line and in the return lines
- Three check valves (integrated in the ball valves)
- Three thermometers in the flow line and in the return lines
- Pressure gauge to display the installation pressure
- Two flow meters to display the flow rate
- Two ball valves to reduce the flow rate
- Solar pressure relief valve
- Airstop for an easy venting
- Flush and fill valves

1.3 Designated use

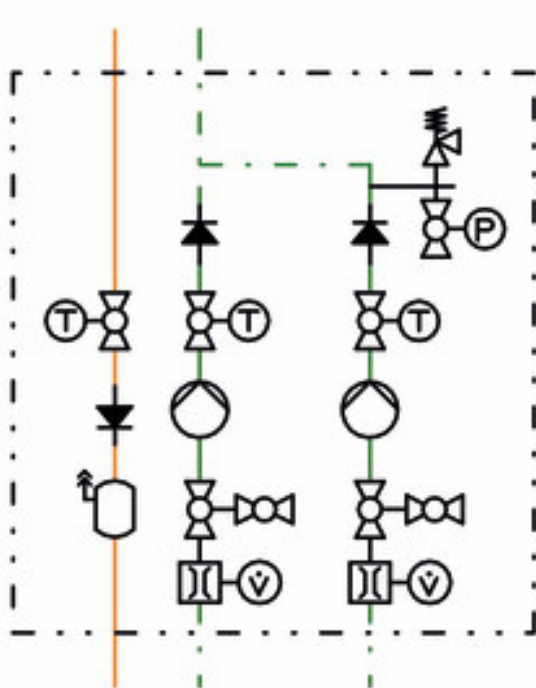
The solar station may only be used in solar thermal systems as a pump station in the solar circuit, taking into consideration the technical limit values indicated in these instructions. Due to its design, the station must only be mounted and operated as described in these instructions!

Improper usage excludes any liability claims.

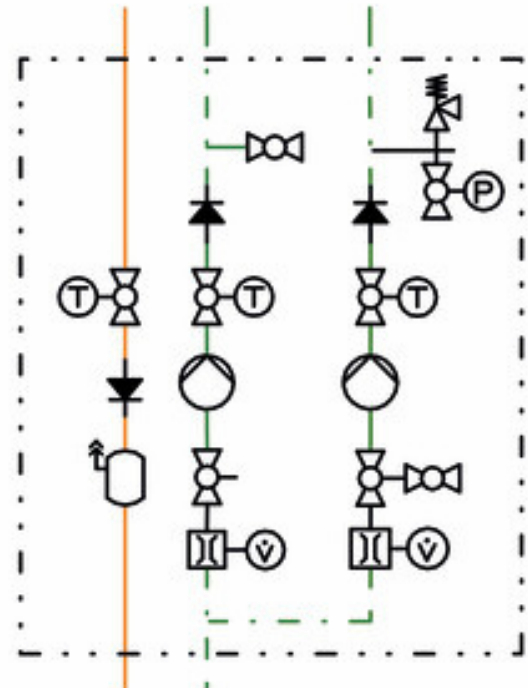
This product complies with the relevant directives and is therefore labelled with the CE mark.

The Declaration of Conformity is available upon request, please contact the manufacturer.

Only use PAW accessories with the product.

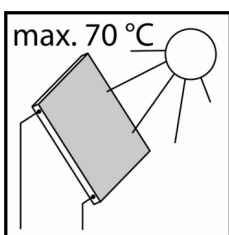


2S: two-tank solution



2D: two-roof solution

NOTICE



Under the influence of solar radiation, the collectors will heat up considerably.

The solar fluid in the solar circuit may heat up to more than 100 °C.


Only flush and fill the solar circuit when the collector temperatures are below 70 °C.



2 Safety instructions

The installation and commissioning as well as the connection of electrical components require technical knowledge commensurate with a recognised vocational qualification as a fitter for plumbing, heating and air conditioning technology, or a profession requiring a comparable level of knowledge [specialist].

The following must be observed during installation and commissioning:

- relevant local and national regulations
- accident prevention regulations of the professional association
- instructions and safety instructions mentioned in these instructions

WARNING	
	<p>Danger of scalding due to the escape of hot fluids!</p> <p>With pressure relief valves, there is a risk of scalding due to the escape of vapour or hot fluid.</p> <p>Please ensure for each pressure relief valve that no personal injury or material damage may occur due to possibly escaping medium.</p> <ul style="list-style-type: none"> ▶ Install a discharge line. ▶ Observe the instructions regarding the pressure relief valve. ▶ The pressures for the expansion tank calculated by the plant designer and the operating pressure of the installation must be set.

 CAUTION	
	<p>Risk of burns!</p> <p>The valves and fittings and the pumps can become heated up to more than 100 °C during operation.</p> <ul style="list-style-type: none"> ▶ The insulating shell must remain closed during operation.

 **CAUTION**

Personal injury and material damage due to overpressure!

Closing both ball valves in the primary circuit will separate the safety group from the heat exchanger. A rise in temperature in the storage tank may result in high pressures, which may lead to personal injury and material damage!

- ▶ Only close the ball valves for service and maintenance.

NOTICE
Material damage due to mineral oils!

Mineral oil products cause lasting damage to seals made of EPDM, whereby the sealant properties are lost. We do not assume liability nor provide warranty for damage to property resulting from sealants damaged in this way.

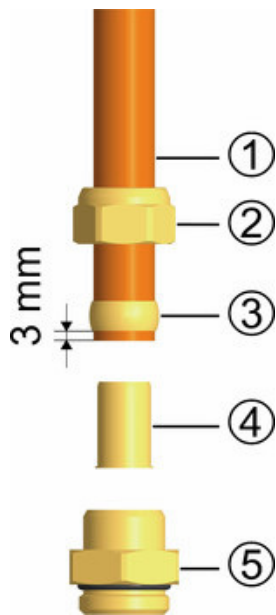
- ▶ It is imperative to prevent the EPDM sealing elements from making contact with substances containing mineral oils.
- ▶ Use a silicone- or polyalkylene-based lubricant free of mineral oil such as Unisilikon L250L and Syntheso Glep 1 from Klüber or a silicone spray.

3 Mounting and installation [specialist]

NOTICE

Material damage due to high temperatures!

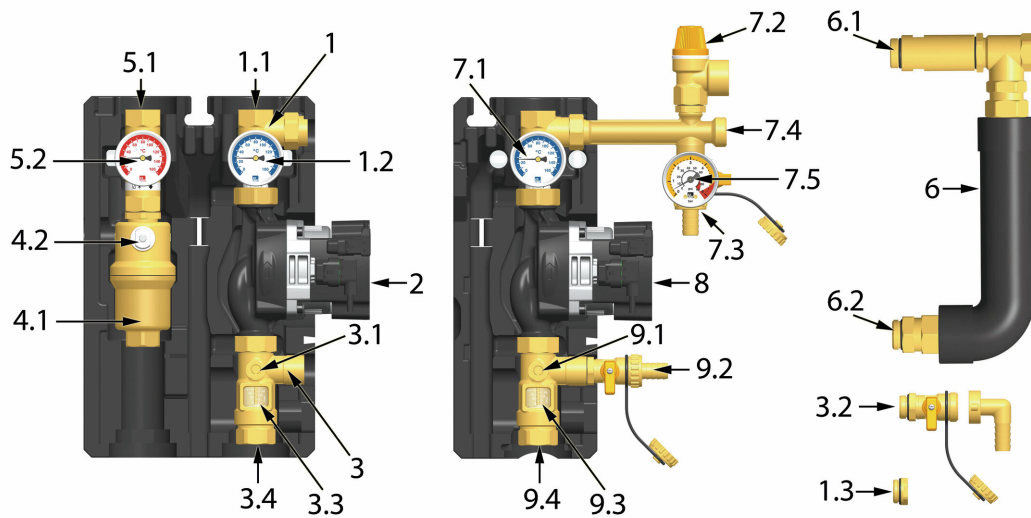
Since the solar fluid near the collector can be very hot, the group of fittings must be installed at a sufficient distance from the collector field. It may be necessary to install an intermediate tank in order to protect the expansion tank.



Not included in the scope of delivery!

Accessories: compression fitting

1. Push the union nut ② and the cutting ring ③ onto the copper pipe ①. The pipe must protrude at least 3 mm from the cutting ring in order to ensure the force transmission and the sealing.
2. Insert the support sleeve ④ into the copper pipe.
3. Insert the copper pipe with the plugged-on individual parts (②, ③ and ④) as far as possible into the body of the compression fitting ⑤.
4. First, screw the union nut ② manually.
5. Tighten the union nut ② by rotating one full turn. Secure the body of the compression fitting ⑤ against distort in order to avoid damaging the sealing ring.



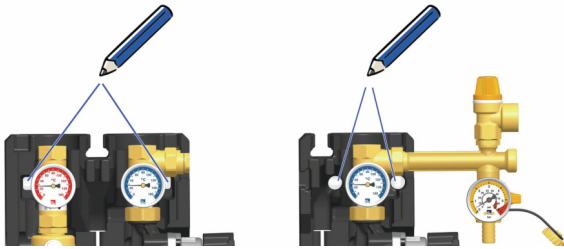
1. Remove the station from the packaging.
2. Remove the insulating front shell.



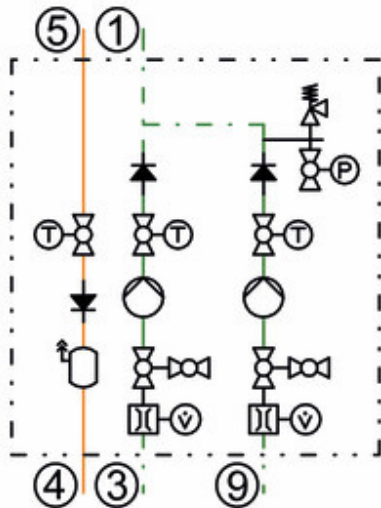
3. Loosen the clip spring for the fixation the pump line of the 2-line station (see illustration).

4. Remove the line from the insulating shell.
5. In addition, mount the enclosed valve, hose connector and plug depending on the two-tank solution (2S) or two-roof solution (2D):
 - 2S: valve + hose connector [3.2] at 3 / plug [1.3] at 1
 - 2D: valve + hose connector [3.2] at 1 / plug [1.3] at 3
6. Fix the clip spring in the groove provided at the ball valve and mount the line in the insulating shell.
7. Screw the connecting piece [6] - depending on the application 2S / 2D) onto the return connections of the 2-line station and the 1-line station, see chapter 1.3:
 - 2S: [6.1] at [1.1] and [6.2] at [7.1]
 - 2D: [6.1] at [3.4] and [6.2] at [9.4]

3 Mounting and installation [specialist]



8. Copy the mounting holes next to the thermometers of the solar station to the mounting surface.
9. Drill the holes and mount the solar station to the wall with suitable wall plugs and screws.

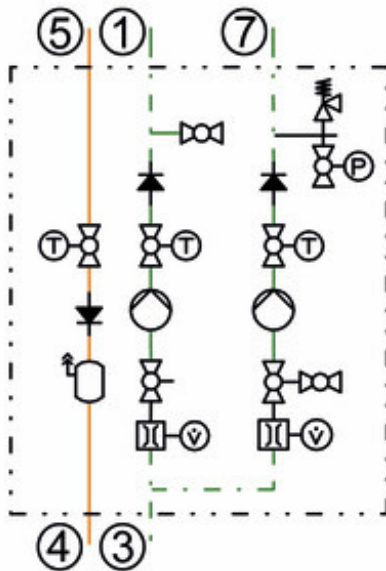


10. Connect the solar station to the installation by using the pipes as follows:

Two-tank solution:

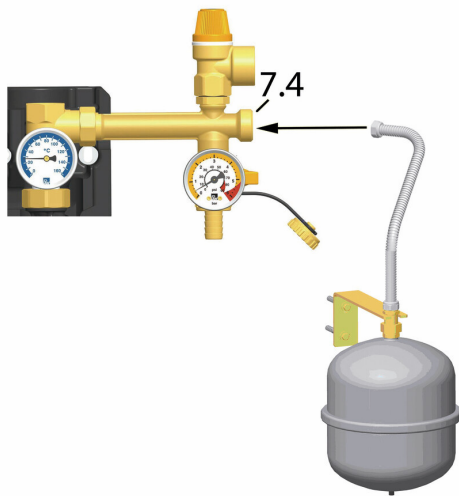
- ① Common return to the collector field
- ⑨ Return from storage tank 2
- ③ Return from storage tank 1
- ④ Flow to storage tank 1 and 2
- ⑤ Flow from the collector field

Two-roof solution:



- ⑤ Common flow from the collector field
- ① Return to collector field 1
- ⑦ Return to collector field 2
- ③ Return from the storage tank
- ④ Flow to the storage tank

All thread connections have $\frac{3}{4}$ " internal threads.



11. Connect the pipe for the expansion tank to [7.4] and fix the bracket for the expansion tank.
12. Adapt the initial pressure of the expansion tank to the system and connect the expansion tank. Observe the separate instructions for the expansion tank!
13. Check all thread connections and tighten them if necessary.

Not included in the scope of delivery!

WARNING



Risk to life and limb due to electric shock!


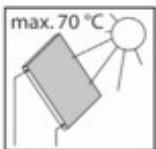
- ▶ Prior to commencing electrical work on the controller, pull the mains plug!
- ▶ Only after completing all installation work as well as the flushing and filling, the mains plug of the controller can be plugged into a socket. This avoids an unintentional start of the motors.

14. Connect the pumps and the sensors to the controller.

The assembly of the solar station is now completed and the station can be put into operation.

4 Commissioning [specialist]

Please observe the following safety instructions regarding the commissioning of the station:

WARNING	
 	<p>Risk of burning and scalding!</p> <p>The valves and fittings may heat up to more than 100 °C. Therefore, do not clean or fill the system when the collectors are hot (intense sunshine). Please note that hot solar fluid leaks from the pressure relief valves in case of too high system pressure!</p> <p>During venting the solar fluid may escape as vapour and result in scalding!</p> <ul style="list-style-type: none"> ▶ Flush and fill the system only when the collector temperatures are below 70 °C.

NOTICE
<p>Risk of frost!</p> <p>It often happens that solar systems cannot be completely drained after flushing. Thus, there is a risk of frost damage later on when flushing with water. Therefore, only use the solar fluid used later on for flushing and filling the solar installation.</p> <ul style="list-style-type: none"> ▶ Use a water/propylene glycol mixture with max. 50% of propylene glycol as solar fluid.

NOTICE
<p>Note regarding the commissioning sequence</p> <p>During commissioning, fill the heating circuit first and the solar circuit afterwards. This guarantees that the heat possibly absorbed by the collectors during commissioning can be dissipated.</p>

NOTICE
<p>Note regarding the expansion tank</p> <p>The expansion tank must not be connected while flushing and filling in order to prevent dirt particles from being flushed in. Please observe the instructions of the manufacturer.</p>

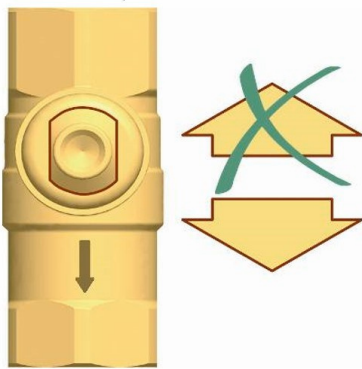
4.1 Flushing and filling the solar circuit

The fill and drain valves necessary to flush and fill the installation are integrated in the solar station. Make sure not to wash dirt particles that may be present in the solar installation into the expansion tank. To do so, it may be necessary to disconnect the expansion tank during flushing and filling and to use only flushing and filling stations that are equipped with suitable microfilters.

Ball valve with integrated flow check valve

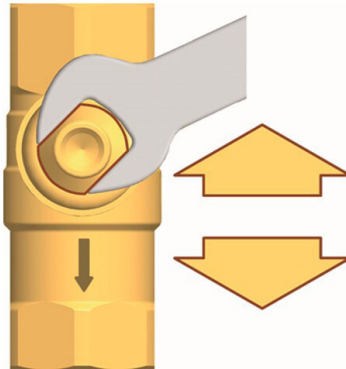
(normal flow direction in the figure: downwards)

position 0°



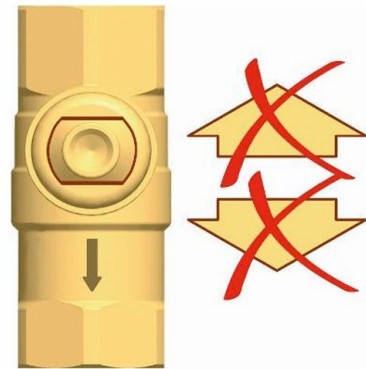
Check valve is operating,
flow only in flow direction.

position 45°



Check valve not operating,
flow in both directions.

position 90°



Ball valve closed,
no flow.

Functions of the fill and drain valve within the safety group

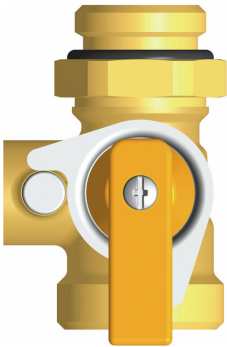
Position

Function



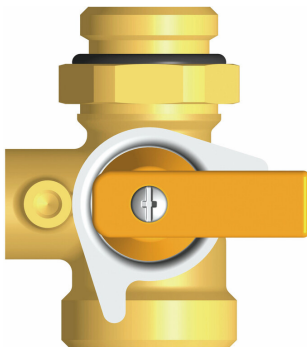
Position "closed" (station in operation):

Fill and flush circuit is closed. Pressure gauge indicates system pressure.



Position "open" (fill and flush processes):

Fill and flush circuit is open. Pressure gauge indicates pressure.



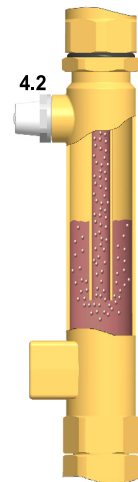
Position "maintenance" (maintenance work):

Fill and flush circuit is closed. Pressure gauge indicates, after removal of cap, no pressure.

Attention: Remove stop bolt before changing the position!

Airstop

The Airstop (vent valve with manual bleeder) is used to vent the solar system. To ensure a perfect venting of the solar circuit, the flow velocity must be at least 0.3 m/s in the flow line.



Pipe diameter [mm]		Flow rate at 0.3 m/s	
∅ outside	∅ inside	l/h	l/min
15	13	~ 143	~ 2.4
18	16	~ 217	~ 3.6
22	20	~ 339	~ 5.7
28	25	~ 530	~ 8.8

WARNING



Danger of scalding due to escaping vapour!

The escaping medium can have a temperature of more than 100 °C and cause scalding.

- ▶ Carefully open the vent plug and close it again, as soon as medium escapes.

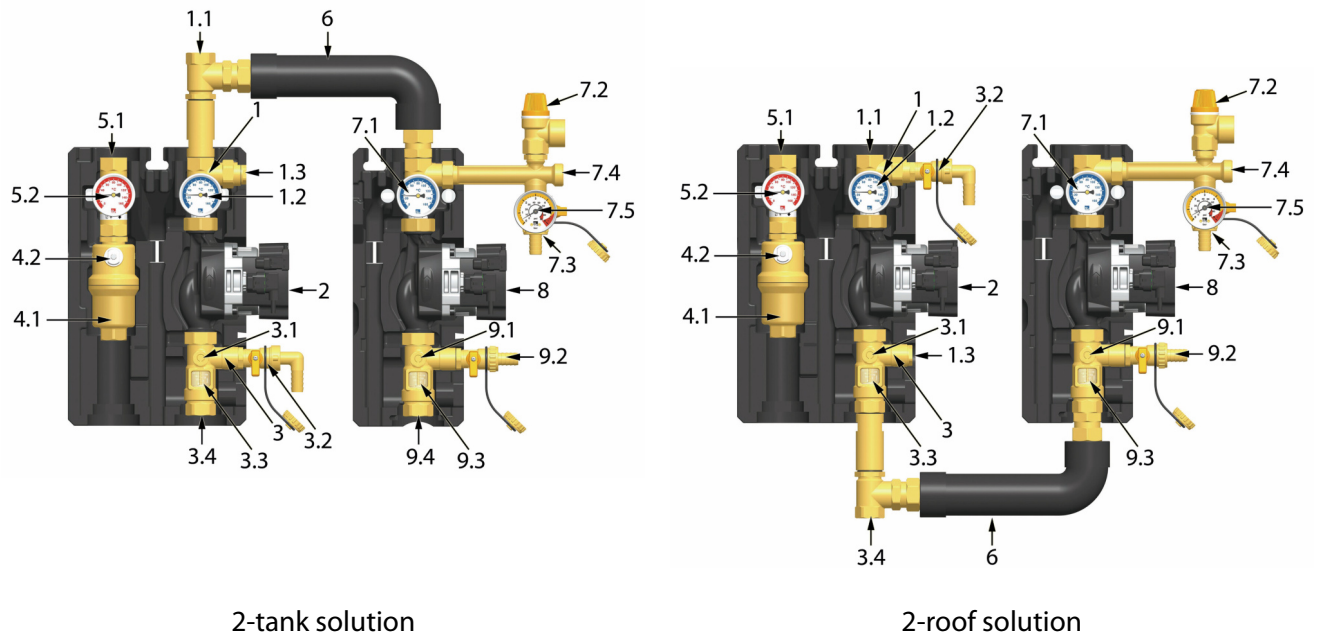
The air separated from the solar fluid is collected in the upper part of the airstop and can be released at the vent plug.

Venting the solar installation after commissioning

At the beginning, vent the solar installation daily and then weekly or monthly, depending on the vented air quantity. Thus, an optimum operation of the solar installation is ensured. Check the system pressure after venting and increase it to the prescribed operating pressure, if necessary.

4 Commissioning [specialist]

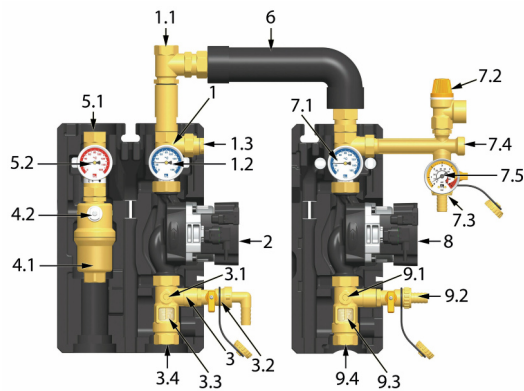
4.2 Preparations before flushing



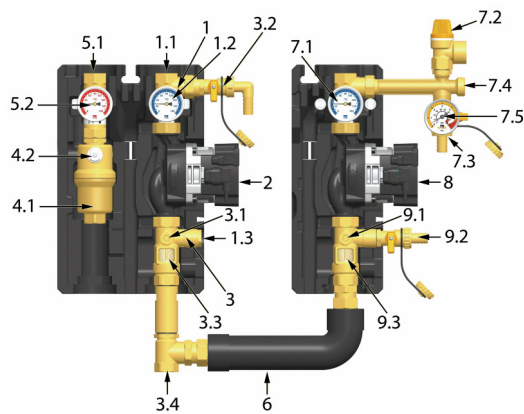
The solar circuit is flushed in the direction of flow.

1. Disconnect the expansion tank from the solar system. Observe the separate instructions for the expansion tank!
2. Close the return ball valves [1.2|7.1] (90°, see chapter 4.1).
3. The ball valve in the flow line [5.2] and the ball valves in the flow meters [3.1|9.1] must be open.
4. Connect the fill station to the solar station:
 - pressure hose to the fill valve [7.3]
 - flush hose to the drain valve [9.2]

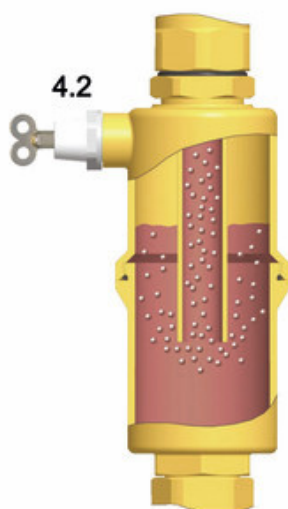
4.3 Flushing and filling



2-tank solution



2-roof solution



1. Open the fill and drain valves [7.3|9.2]. For this, turn the valve [7.3] into position "open", see chapter 4.1.

2. Put the flush and fill station into operation and flush the installation until clear solar fluid exits.

Vent the solar installation several times at the vent plug of the Airstop [4.2] until the solar fluid exits without bubbles (see chapter 4.1.)

To vent the pump section, carry out the following steps for the **two-tank solution**:

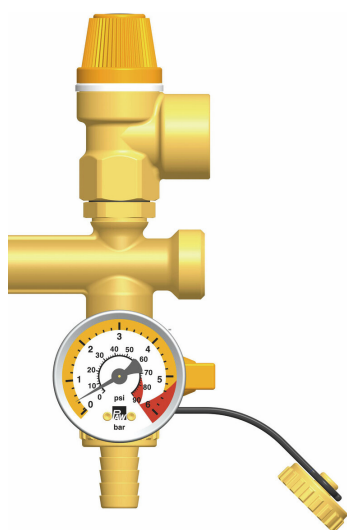
3. Slowly open the ball valve [7.1] in the return (see chapter 4.1).

4. Switch off the pump of the flush and fill station and close the drain valve [9.2].

5. Connect the flush hose to the drain valve of the second storage tank circuit [3.2].

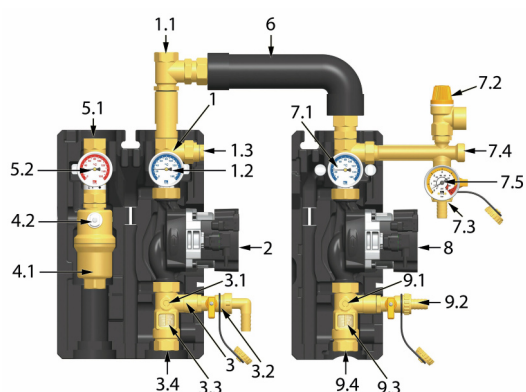
4 Commissioning [specialist]

6. Open the fill and drain valves [7.3|3.2] by turning the valve [7.3] to position "open", see chapter 4.1.
7. Put the flush and fill station into operation and flush the installation until clear solar fluid exits. Vent the solar installation several times at the vent plug of the Airstop [4.2] until the solar fluid exits without bubbles, see chapter 4.1.
8. To vent the pump section, slowly open the return ball valve [1.2], see chapter 4.1.

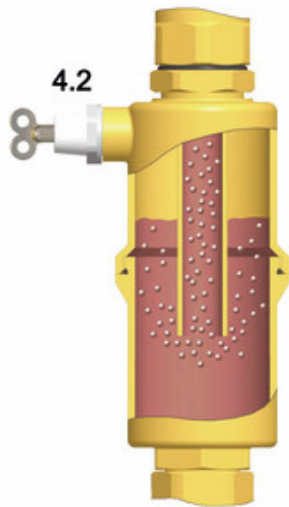


9. Close the drain valve [3.2] while the filling pump is running and increase the system pressure to about 5 bars. The system pressure is displayed on the pressure gauge.
10. Check the pressure gauge to see whether the system pressure reduces and eliminate leaks where necessary.
11. Reduce the pressure at the drain valve [3.2] to the operating pressure of the installation.

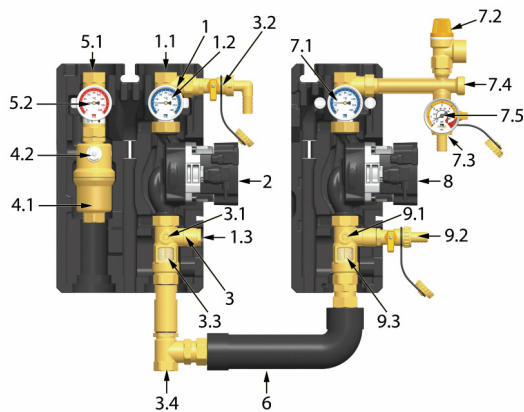
Consider the pressure relief valve (6 bars)!



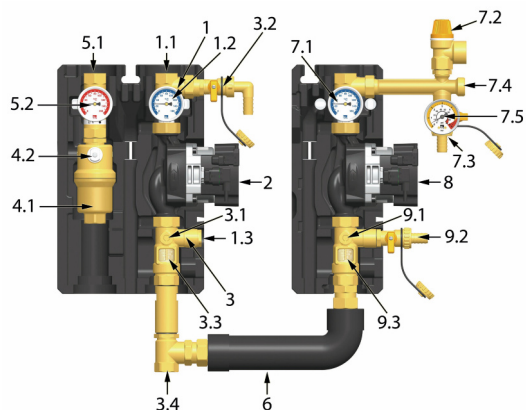
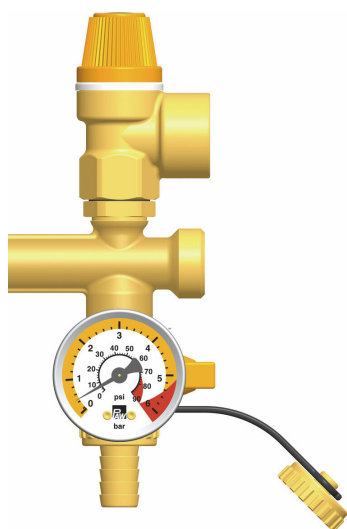
12. Connect the expansion tank to the solar circuit and set the operating pressure of the solar installation by means of the flush and fill station (for the required operating pressure, see instructions of the expansion tank).
13. Close the fill and drain valves [7.3|9.2|3.2].
14. Turn the check valves in the ball valves [1.2|5.2|7.1] into operating position (0°, see chapter 4.1).



To vent the pump section, carry out the following steps for the **two-roof solution**:



3. Slowly open the ball valve [7.1] in the return (see chapter 4.1).
4. Switch off the pump of the flush and fill station and close the fill and drain valves [7.3|9.2]. During this, turn the valve [7.3] in position "closed".
5. Connect the pressure hose of the fill valve [7.3] to the fill valve [3.2] of the second collector circuit.
6. Open the fill and drain valves [3.2|9.2].
7. Put the flush and fill station into operation and flush the installation until clear solar fluid exits. Vent the solar installation several times at the vent plug of the Airstop [4.2] until the solar fluid exits without bubbles, see chapter 4.1.
8. To vent the pump section, slowly open the return ball valve [1.2], see chapter 4.1.



9. Close the drain valve [9.2] while the filling pump is running and increase the system pressure to about 5 bars. The system pressure is displayed on the pressure gauge.
10. Check the pressure gauge to see whether the system pressure reduces and eliminate leaks where necessary.
11. Reduce the pressure at the drain valve [9.2] to the operating pressure of the installation.
12. Connect the expansion tank to the solar circuit and set the operating pressure of the solar installation by means of the flush and fill station (for the required operating pressure, see instructions of the expansion tank).
13. Close the fill and drain valves [3.2|7.3|9.2] by turning the valve [7.3] into position "closed".
14. Turn the check valves in the ball valves [1.2|5.2|7.1] into operating position (0°, see chapter 4.1).

WARNING



Risk to life and limb due to electric shock!

- ▶ Check whether the sensors and pumps have been connected to the controller and the controller housing is closed. Only then, the mains plug of the controller can be plugged into a socket.

15. Connect the (optional) controller to the mains and set the solar circuit pump in the manual mode to Max. according to the controller instructions. Let the solar circuit pump run at maximum rotation speed for at least 15 minutes.

In the meantime, vent the solar system several times at the vent plug of the airstop until the solar fluid exits without forming bubbles (see chapter 4.1).

If necessary, increase the system pressure to the operating pressure.



16. Remove the hoses of the flush and fill station and screw the sealing caps on the fill and drain valves.

The closure caps are only for protection against contamination. They are not designed for high system pressures. Their tightness is ensured by the closed ball valves.

4 Commissioning [specialist]

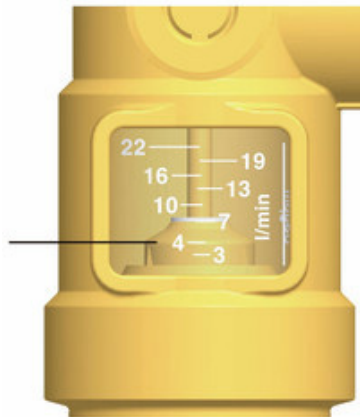
4.4 Setting the solar installation

1. Set the desired revolution speed of the solar pump depending on the required flow rate.
If necessary, the flow rate can be reduced by the ball valve [3.1] (only necessary if the pump is not speed-controlled). Please observe the specifications of the collector manufacturer for the correct adjustment of the flow rate.
2. Mount the insulating front shells of the solar station.
3. Switch the controller to automatic mode (see controller instructions).

The commissioning of the solar installation is now completed. Please fill in completely the commissioning log.

Reading edge = **round edge** of
the float

Example: approx. 4 l/min



Scale DN 20:

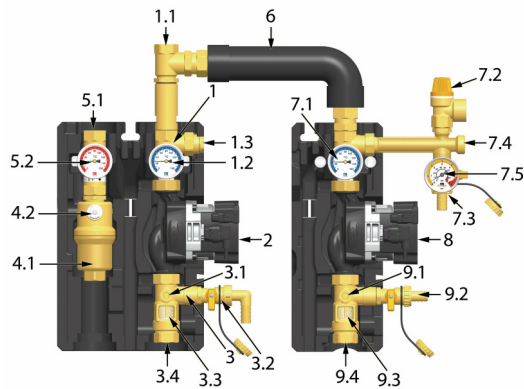
3 – 22 l/min

Scale DN 25:

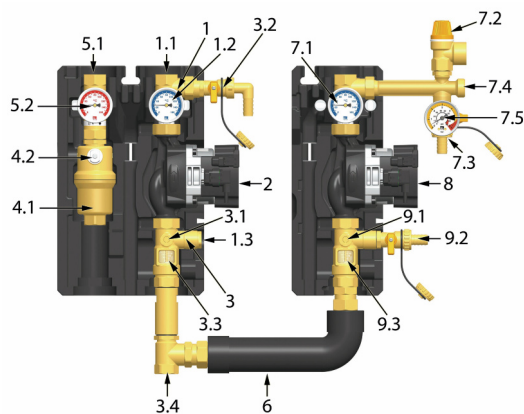
5 - 40 l/min

5 Maintenance [specialist]

5.1 Replacement / adjustment of the pressure gauge



2-tank solution



2-roof solution

1. Switch off the controller and secure it against being switched on again.
2. Make sure that the valve [7.3] is closed with a cap.
3. Turn the valve [7.3] in position "maintenance" by removing the stop screw, see chapter 4.1.
4. **Replacement of the pressure gauge:**

Dismount the pressure gauge [7.5]. It can happen that a small amount of fluid leaks out (valve content). After that, exchange the pressure gauge.

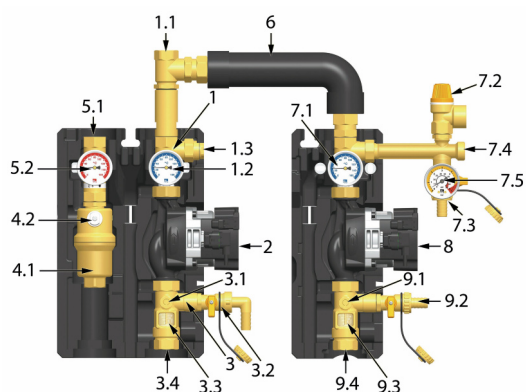
Adjustment of the pressure gauge:

Loosen the counter nut and turn the pressure gauge (from completely screwed in to max. 360°) anti-clockwise. After that, secure it with the counter nut.

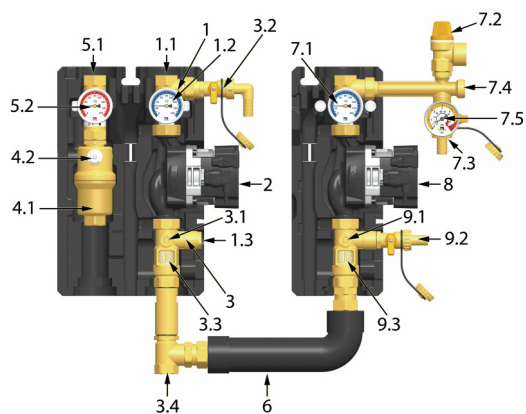
5. Turn the valve [7.3] again in position "closed" (see chapter 4.1). During this, mount the stop screw.

6. Check the pressure gauge for tightness. Also, check the system pressure [7.5] and increase it to the prescribed operating pressure, if necessary.
7. Vent the installation. Repeat that weekly or monthly, depending on the vented air quantity, see chapter 4.1.

5.2 Draining the solar system



2-tank solution



2-roof solution

1. Switch off the controller and secure it against being switched on again.
2. Open the check valves in the return ball valves [1.2|7.1], by turning them to position 45° (see chapter 4.1).
3. Connect a heat-resistant hose to the lowest drain valve of the solar installation (possibly drain valve [9.2|3.2]).

Make sure that the solar fluid is collected in a heat-resistant container.

WARNING



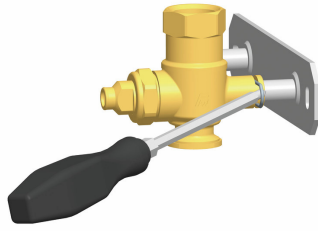
Danger of scalding due to hot solar fluid!

The escaping solar fluid can be very hot!

- ▶ Position and secure the heat-resistant collecting container such that persons nearby are not put at risk when the solar system is drained.

4. Open the drain valve at the lowest point of the solar installation.
5. To accelerate draining of the solar circuit, you can open the air-bleed valve, if present, at the highest point of the solar system.
6. Dispose of the solar fluid observing the local regulations.

5.3 Deinstallation



1. Drain the solar installation as described in the previous chapter.
2. Disconnect the pipe connections to the solar installation.
3. To remove the solar station from the mounting plate, pull out the clip springs laterally with a screwdriver.
4. Remove the station by pulling it forward.

6 Scope of delivery [specialist]

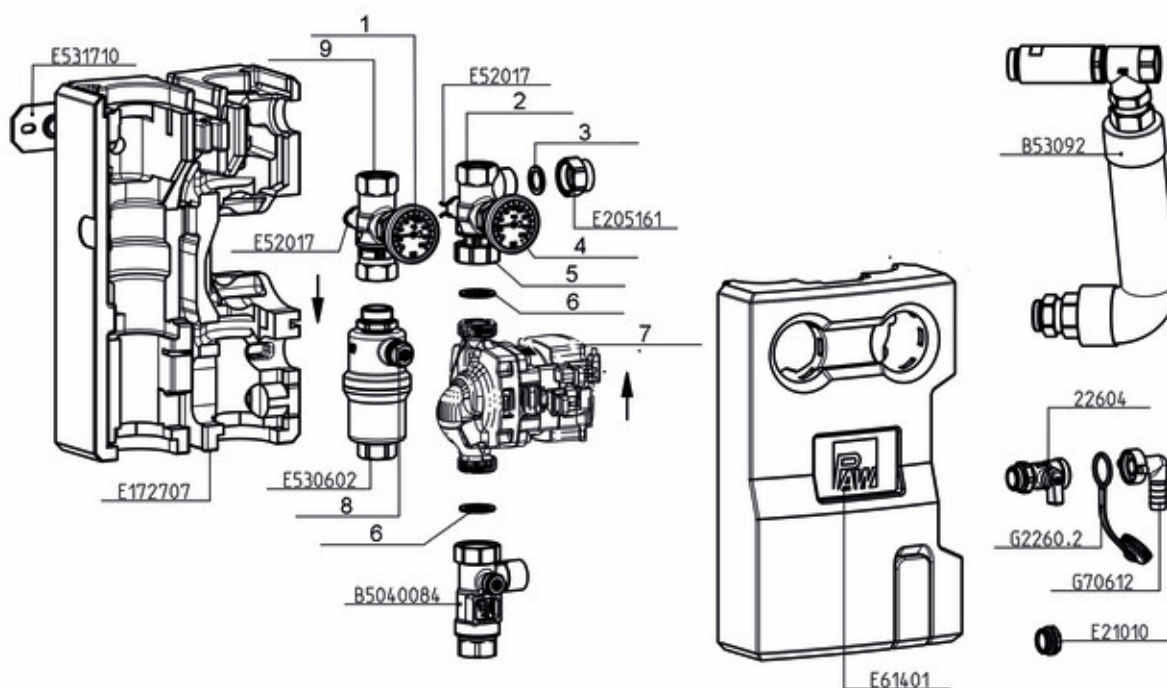
NOTICE

Serial number

Complaints and requests/orders of spare parts will only be processed with information on the serial number! The serial number is placed on the safety group.

- ▶ In case of a complaint, please send us the entirely completed commissioning report.

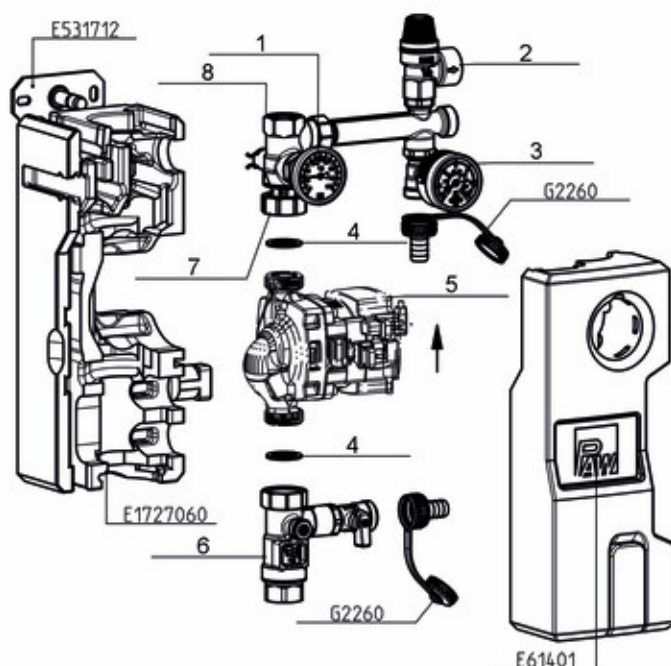
6.1 2-line station



Position	Spare part	Item number
1	Dial thermometer, red scale, d = 50 mm, 0-160 °C	N00193
2	Return ball valve DN 20, ¾" int. thread x F ¾" x ¾" ext. thread on the right, solar check valve	N00290
3	Sealing kit, 24.0 x 17.0 x 2.0, ¼", for thread connection ¾", 10 pieces	N00030
4	Dial thermometer, blue scale, d = 50 mm, 0-160 °C	N00194
5	Union nut G 1", passage 28.1 mm, wrench size 37, octagonal	N00302
6	Sealing kit, 30.0 x 21.0 x 2.0, ½", for thread connection 1", 10 pieces	N00024
	Alternative pumps:	
	Wilo Para ST 15/7	N00150
7	Wilo Para ST 15/13	N00299
	Grundfos UMP3 Solar 15-75	N00025
	Grundfos UMP3 Solar 15-145	N00215
8	Vent plug, ⅜" ext thread, self-sealing, EPDM o-ring	N00520
9	Flow ball valve DN 20, ¾" int. thread x ¾" int. thread, solar check valve	N00291

6 Scope of delivery [specialist]

6.2 1-line station



Position	Spare part	Item number
1	Dial thermometer, blue scale, d = 50 mm, 0-160 °C	N00194
2	Pressure relief valve ½" x ¾", 6 bars	N00300
3	Pressure gauge 0-6 bars / 0-90 psi, d = 50 mm, G ¼" axial, 130°C	N00337
4	Sealing kit, 30.0 x 21.0 x 2.0, ½", for thread connection 1", 10 pieces	N00024
5	Alternative pumps:	
	Wilo Para ST 15/7	N00150
	Wilo Para ST 15/13	N00299
	Grundfos UPM3 Solar 15-75	N00025
	Grundfos UPM3 Solar 15-145	N00215
6	Flow meter ¾", 3-22 l/min, DN 20, 1" M x ¾" int. thread x ½" int. thread, with fill and drain valve	N00225



Position	Spare part	Item number
7	Union nut G 1", passage 28.1 mm, wrench size 37, octagonal	N00302
8	Return ball valve DN 20, 3/4" int. thread x F 3/4" x 3/4" ext. thread on the right, solar check valve	N00290

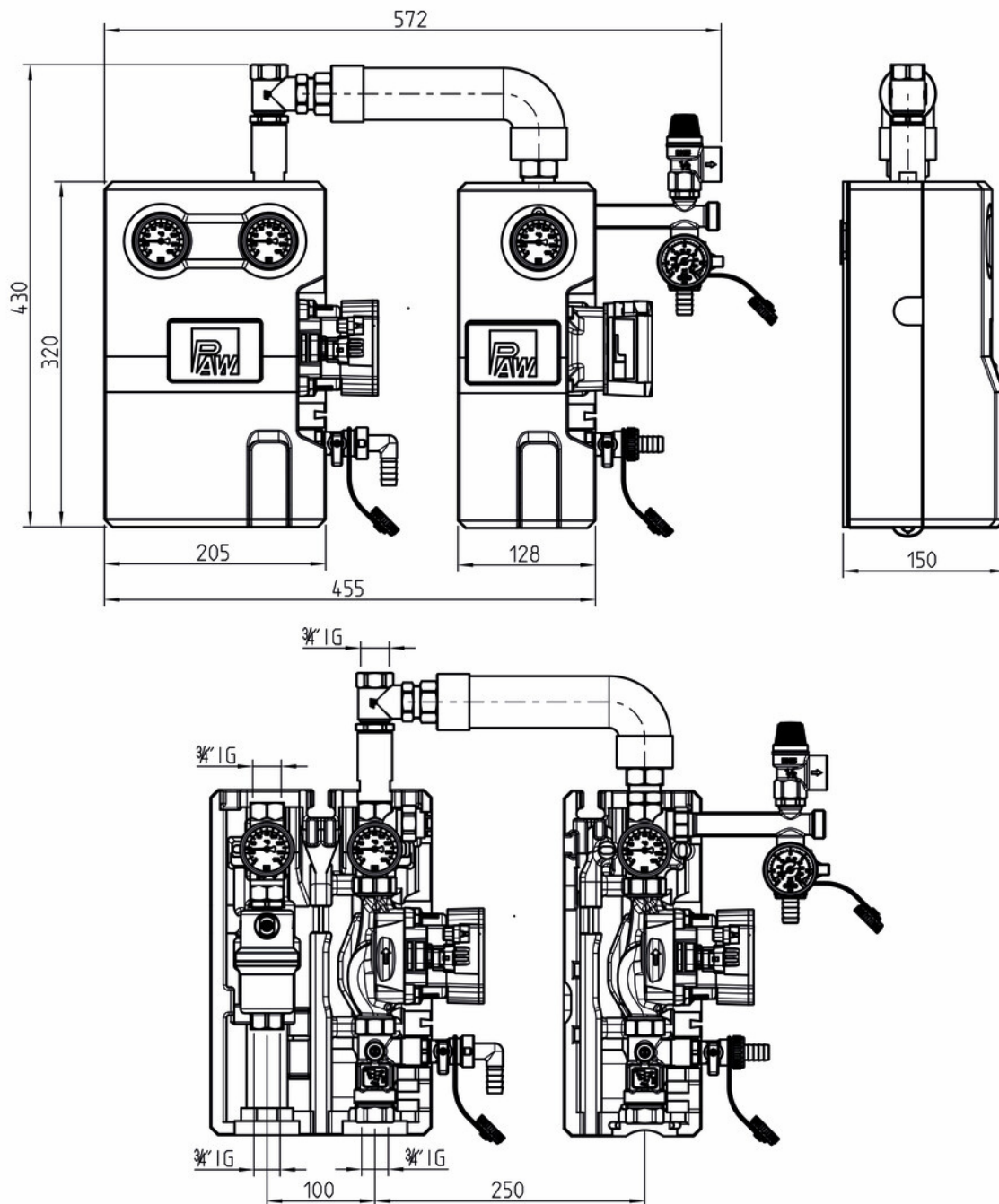
Connection of the PWM pumps

	Wilo Para ST 15/7 Wilo Para ST 15/13 Grundfos UPM3 Solar 15-75 Grundfos UPM3 Solar 15-145
PWM	Brown
GND	Blue

7 Technical data

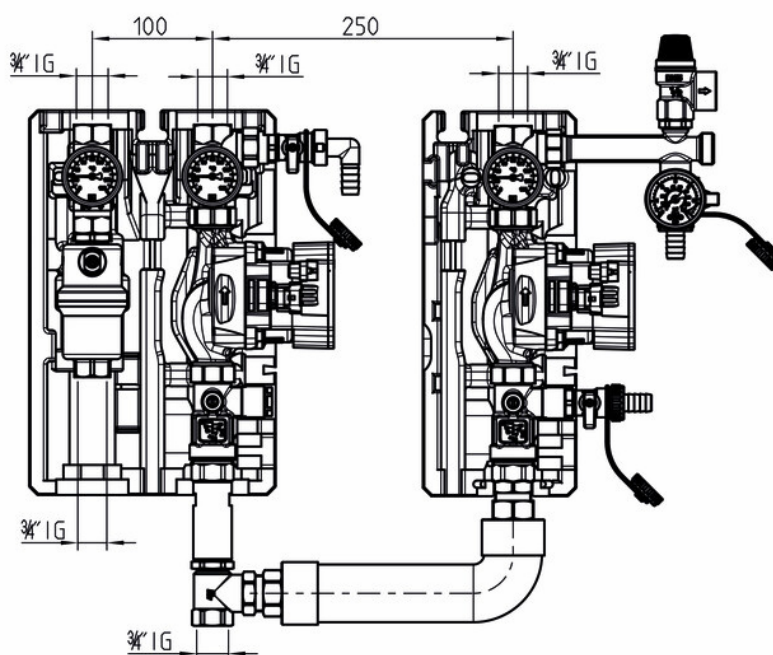
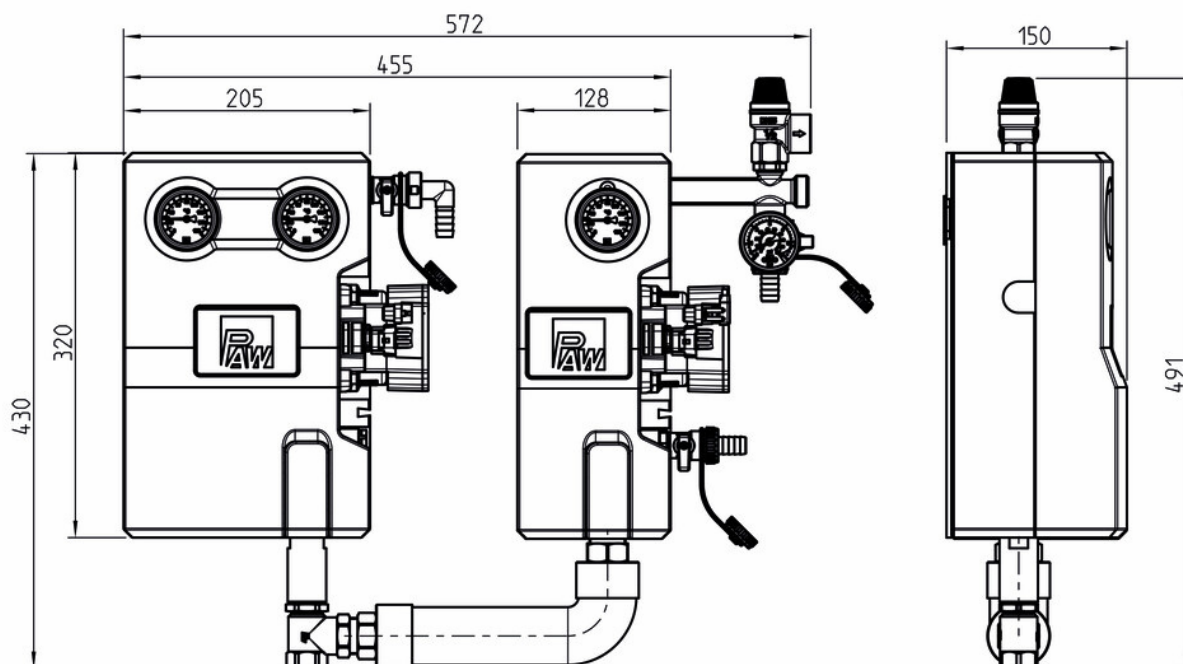
Dimensions	Total height	2S: 430 mm, 2D: 491 mm
	Total width	572 mm
	Depth	150 mm
	Centre distance, flow / return	100 mm
	Centre distance, return / return	250 mm
	Pipe connections	¾" internal thread
	Connection for expansion tank	¾" external thread, flat sealing
	Outlet of pressure relief valve	¾" internal thread
Operating data	Max. admissible pressure	PN 10
	Max. operating temperature	120 °C
	Max. short-time temperature	160 °C, < 15 minutes
	Max. propylene glycol content	50 %
Equipment	Safety valve	6 bars
	Pressure gauge	0-6 bars
	Check valves	3 x 200 mm wc, can be opened
	Flow meters	3-22 l/min
Materials	Valves and fittings	Brass
	Gaskets	EPDM
	Check valves	Brass
	Insulation	EPP, $\lambda = 0.041 \text{ W/(m K)}$

7.1 Dimensional drawing SolarBloC® midi Basic 3-line - two-tank solution

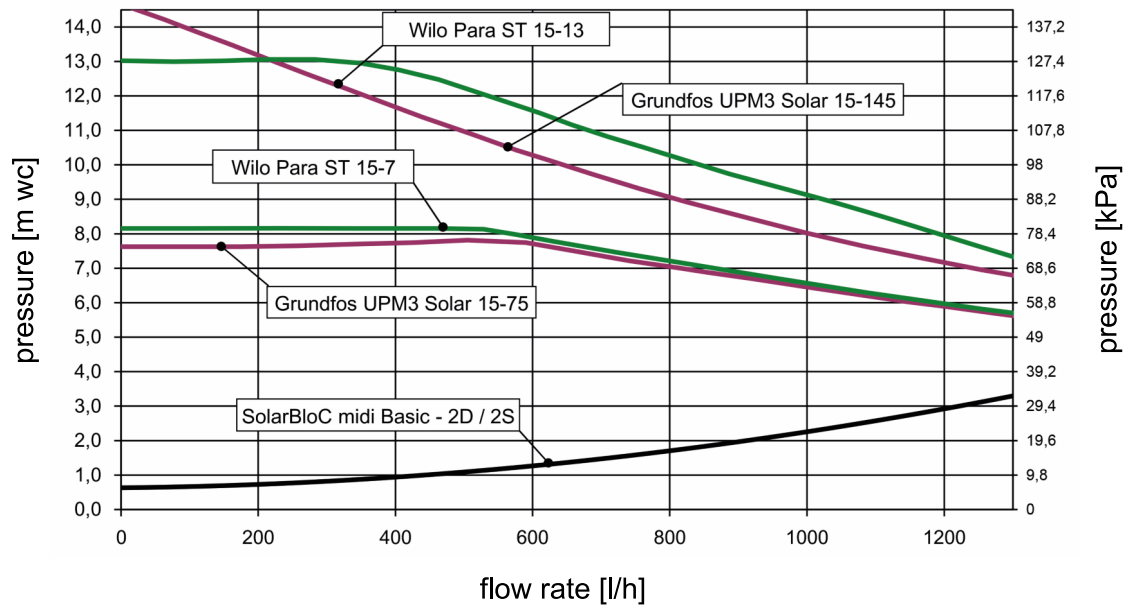


7 Technical data

7.2 Dimensional drawing SolarBloC® midi Basic 3-line - two-roof solution



7.3 Pressure drop and pump characteristic curve



8 Function of the check valves [Expert]

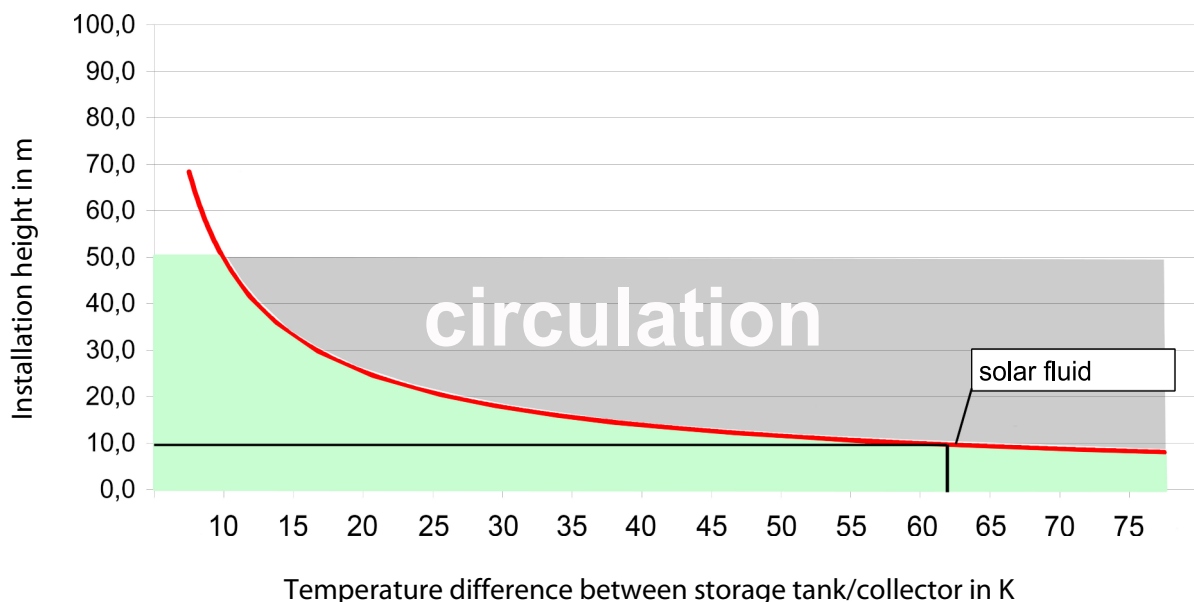
The check valves in this station prevent unwanted gravity circulation within their range of use. The functioning of the check valves depends:

- on the system height
- on the temperature difference between storage tank and collector
- on the solar fluid used

The diagram below indicates if the check valves integrated in the station are sufficient for your installation. If the check valves are not sufficient, additional components must be installed to prevent gravity circulation. You can install, for example, syphons ("heat traps"), 2-way valves (zone valves) or additional check valves.

Example:

- The station contains two check valves (2 x 200 mm wc = **400 mm wc**).
- You use a mixture of water and 40% strength propylene glycol as **solar fluid**.
- The installation height between collector and storage tank is **10 m**.



Result:

The check valves prevent gravity circulation up to a temperature difference of **about 62 K**. If the temperature difference between the collector and the tank is larger, the difference in density of the solar fluid will be so large that the check valves are pushed open.


Do you need to know it exactly?

The density of the solar fluid strongly decreases with increasing temperature. In systems of high system heights and with large temperature differences, the difference in density causes gravity circulation. This circulation can result in the storage tank cooling down.

Calculation example: $\Delta p = \Delta \rho * g * h$

Collector temperature: 5 °C: Solar fluid density $\rho_1 = 1042 \text{ kg/m}^3$

Storage tank temperature: 67 °C: Solar fluid density $\rho_2 = 1002.5 \text{ kg/m}^3$

$$\Delta \rho = \rho_1 - \rho_2 = 39.5 \text{ kg/m}^3$$

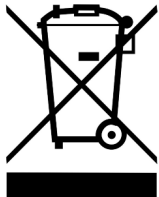
$$g = 9.81 \text{ m/s}^2$$

Installation height $h = 10 \text{ m}$

$$\Delta p = 3875 \text{ Pa} = 395 \text{ mm wc}$$

The two check valves of the station (2 x 200 mm wc) are sufficient for an installation height of 10 m and a temperature difference of up to 62 K between the collector and the tank.

9 Disposal

NOTICE	
	<p>Electrical and electronic devices must not be disposed of in the household waste.</p> <p>For your return, there are free collection points for electrical appliances and, if necessary, additional points of acceptance for the reuse of the devices in your area. The addresses can be obtained from your city or communal administration.</p> <p>If the old electrical or electronic device contains personal data, you are responsible for deleting it before returning the device.</p> <p>Batteries and rechargeable batteries must be removed prior to the disposal of the product. Depending on the product equipment (partly with optional accessories), single components can also contain batteries and rechargeable batteries.</p> <p>Please observe the disposal symbols on the components.</p>

Disposal of transport and packaging materials

The packaging materials are made of recyclable materials and can be disposed of with recyclable materials.

10 Commissioning report

System operator			
Location of installation			
Collectors (number / type)			
Collector surface	m ²		
System height	m (height difference between the station and the collector field)		
Pipeline	Diameter =	mm;	length = m
Venting (collector field)	<input type="checkbox"/> manual vent valve	<input type="checkbox"/> automatic vent valve	
	<input type="checkbox"/> no	<input type="checkbox"/> vented	
Bleeding device (station)	<input type="checkbox"/> vented		
Solar fluid (type)	% glycol		
Antifreeze (checked up to):	°C	Serial numbers	
Flow rate	l/m	<ul style="list-style-type: none"> • Station 	
Pump (type)			<ul style="list-style-type: none"> • Controller
Pump speed level (I, II, III)		<ul style="list-style-type: none"> • Software version 	
System pressure	mbars		Restrictor position:
Expansion tank (type)			
Initial pressure	mbars		
Safety valve	<input type="checkbox"/> checked		
Check valves	<input type="checkbox"/> checked		
Installation company	Date, signature		



11 Notes





Item no. 99775810x-mub-en

Translation of the original instructions

We reserve the right to make technical changes without notice!

Printed in Germany – Copyright by PAW GmbH & Co. KG

PAW GmbH & Co. KG

Böcklerstr. 11

31789 Hameln, Germany

www.paw.eu

Phone: +49-5151-9856-0

Fax: +49-5151-9856-98