

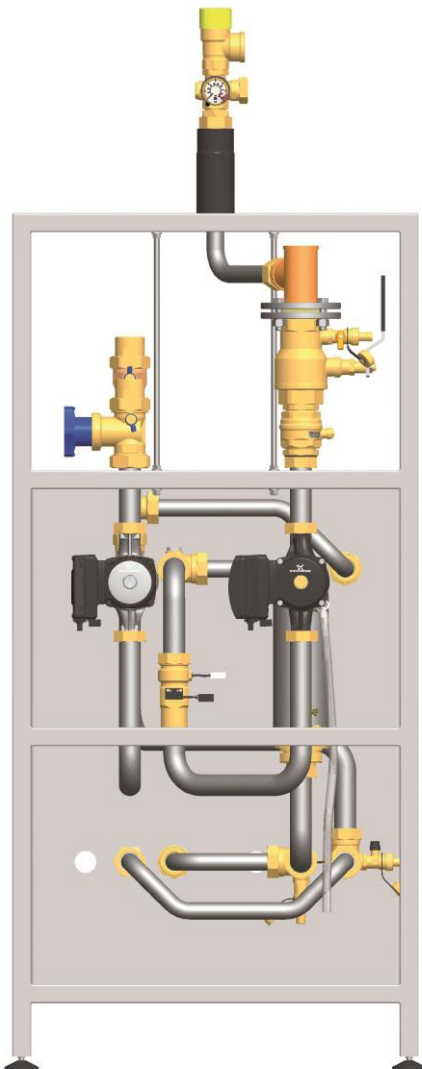


Installation and Operation Instructions

Transfer Station

SolexMega TW - DN 32

[Hydraulics]



Contents

1	General Information	3
1.1	About these instructions	3
1.2	About this product	4
1.3	Designated use	5
2	Safety instructions	6
3	Product description	8
4	Assembly and installation [specialist]	10
4.1	Controller connection	13
5	Commissioning [specialist]	14
5.1	Preparations before flushing and filling	15
5.2	Flushing and filling the storage tank circuit (connections secondary)	15
5.3	Flushing and filling the solar circuit (connections primary)	18
5.4	Parameter: SolexMega with controller SC5.14	21
6	Maintenance [specialist]	22
6.1	Draining the solar station	23
7	Spare parts [specialist]	24
7.1	Controller and insulation	24
7.2	Hydraulics primary circuit	25
7.3	Hydraulics secondary circuit	26
8	Technical data	27
8.1	Pressure drop characteristic curve SolexMega TW	28
9	Function: Check valves [specialist]	29
10	Commissioning report	31

Item no. 996097465-mub-en – Version V03 – Issued 2017/07

Translation of the original instructions

We reserve the right to make technical changes without notice!

Printed in Germany – Copyright by PAW GmbH & Co. KG

PAW GmbH & Co. KG

Böcklerstraße 11

D-31789 Hameln, Germany

1 General Information




Carefully read these instructions before installation and commissioning.
Save these instructions in the vicinity of the installation for future reference.

1.1 About these instructions

These instructions describe the functioning, installation, commissioning and operation of the SolexMega TW transfer station for charging buffer tanks or domestic hot water tanks.

The chapters called [specialist] are intended for specialists only.

For other components of the solar thermal system such as controller, pumps, collectors, storage tanks or expansion tanks, please observe the instructions of the corresponding manufacturer.

Item	Item no.	Nominal diameter	Controller SC5.14	Flow rate (maximum)	Collector surface (maximum)
SolexMega TW	6097465	DN 32		4200 l/h	210 m ²

1.2 About this product

The station is a premounted group of valves and fittings checked for leakage and used to transfer the heat from the primary circuit (solar circuit) to the secondary circuit (storage tank or domestic hot water circuit).

It contains a preset controller as well as important fittings for the operation of the system:

- Ball valves in the primary circuit (flow and return)
- Piston valves in the secondary circuit (flow and return)
- Check valves to avoid involuntary gravity circulation in the flow and return of the primary circuit, non return valve in the return of the secondary circuit
- Pressure relief valves to prevent inadmissible overpressures
- Pressure gauge for displaying the installation pressure in the primary circuit
- Vent valves to easily vent the primary circuit and the secondary circuit
- Fill and drain valves with caps to flush, fill and drain the primary and secondary circuit
- A flow meter (FlowRotor) and temperature sensors for heat quantity balancing (primary)

In the heating circuit, the installation must be equipped with a **safety group**, that can be ordered separately.

The **expansion tank** required for operation must be adapted to the size and the requirements of the installation and must be ordered separately.

The **cap-type valve** (item no. 5301), which is also separately available, allows the expansion tank to be easily mounted and separated from the solar thermal system.

- The wrapping materials are made of recyclable materials and can be disposed of with recyclable materials.

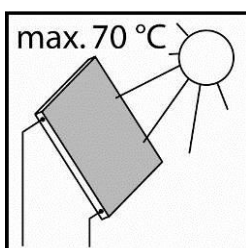
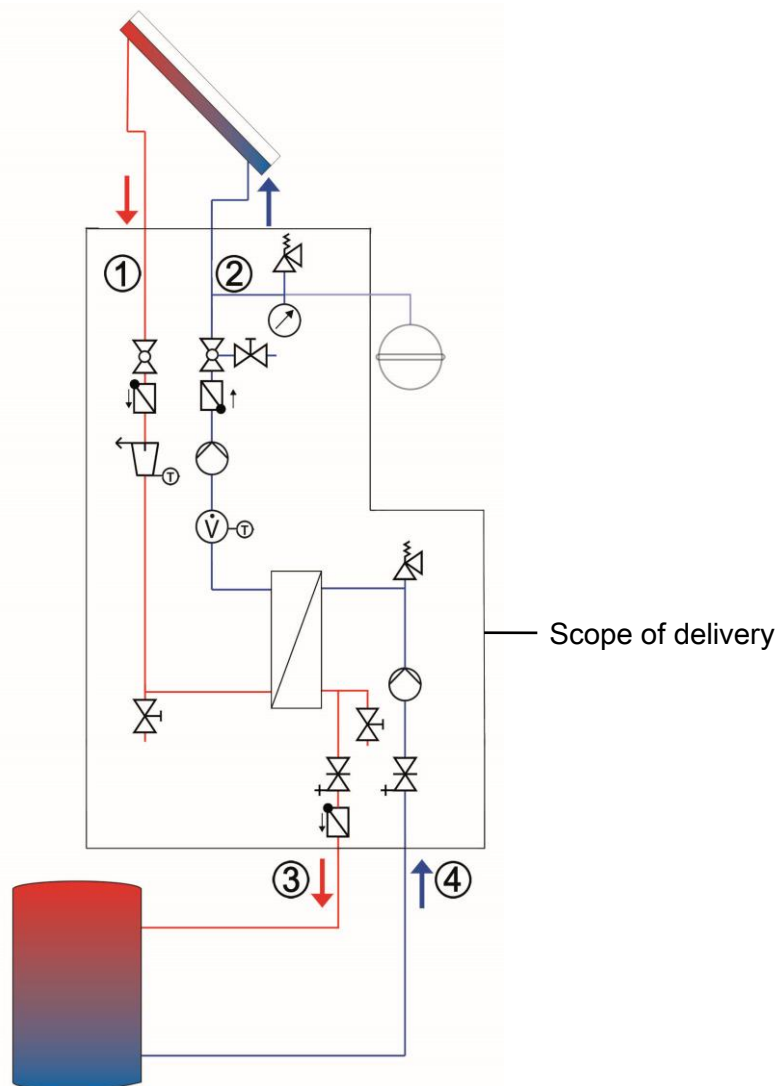
1.3 Designated use

The station may only be used as a transfer station between the solar and the domestic hot water circuit or between the solar and the storage tank circuit in solar thermal systems taking into consideration the technical limit values indicated in these instructions. Due to its design, the station must be mounted and operated as described in these instructions!

Only use PAW accessories with the transfer station.

Improper usage excludes any liability claims.

Schematic structure
SolexMega TW



When the sun shines, the collectors can become very hot.

The solar fluid in the circuit can heat up to more than 100 °C.



Only flush and fill the solar circuit when the collector temperatures are below 70 °C.



2 Safety instructions



The installation and commissioning as well as the connection of electrical components require technical knowledge commensurate with a recognised vocational qualification as a fitter for plumbing, heating and air conditioning technology, or a profession requiring a comparable level of knowledge [specialist].

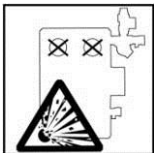

The following must be observed during installation and commissioning:

- Relevant local and national regulations
- Accident prevention regulations of the professional association
- Instructions and safety instructions mentioned in this manual

	 WARNING
	<p>Danger of scalding due to vapour escape!</p> <p>With pressure relief valves there is risk of scalding due to vapour escape. During installation, check the local conditions and if a discharge line must be connected to the safety group.</p> <ul style="list-style-type: none"> ➤ Observe the instructions regarding the pressure relief valve. ➤ The pressures calculated by the installation planner for the expansion tank and the operating pressure of the installation must be set.

	 WARNING
	<p>Personal injury due to polluted potable water!</p> <p>The heating water contains harmful substances, that must not be washed into the domestic hot water circuit.</p> <p>If the station was used for charging a buffer tank there is still, after draining, heating water in the valves and fittings and in the pump of the secondary circuit. It can not be removed without residue.</p> <ul style="list-style-type: none"> ➤ The station must not be connected to a domestic hot water circuit.

	 CAUTION
	<p>Risk of burns!</p> <p>The valves, fittings and pumps may heat up to more than 100 °C during operation.</p> <ul style="list-style-type: none">➤ The shell must remain closed during operation.

	 CAUTION
	<p>Personal injury and damage to property due to overpressure!</p> <p>By closing the two ball valves in the primary circuit you isolate the pressure relief valve from the heat exchanger. A rise in temperature in the storage tank will cause high pressures and could result in personal injury or damage to property!</p> <ul style="list-style-type: none">➤ Only close the ball valves for service and maintenance.➤ If you close the ball valves in case of servicing, do also put the pumps out of operation and close the ball valves in the secondary circuit.

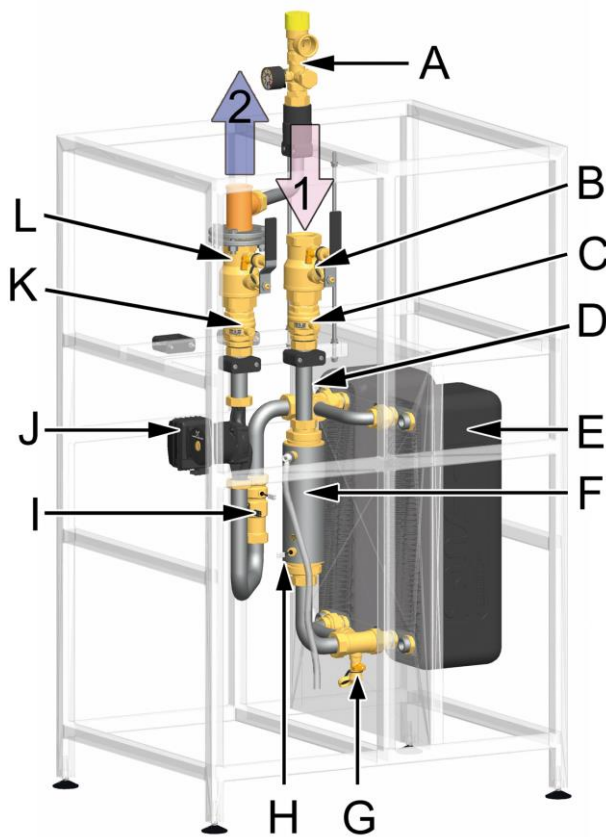
NOTICE

Material damage due to mineral oils!

Mineral oil products cause lasting damage to seals made of EPDM, whereby the sealant properties get lost. We do not assume liability nor provide warranty for damage to property resulting from sealants damaged in this way.

- It is imperative to avoid that EPDM gets in contact with substances containing mineral oils.
- Use a silicone- or polyalkylene-based lubricant free of mineral oil, such as Unisilikon L250L and Syntheso Glep 1 from Klüber or a silicone spray.

3 Product description

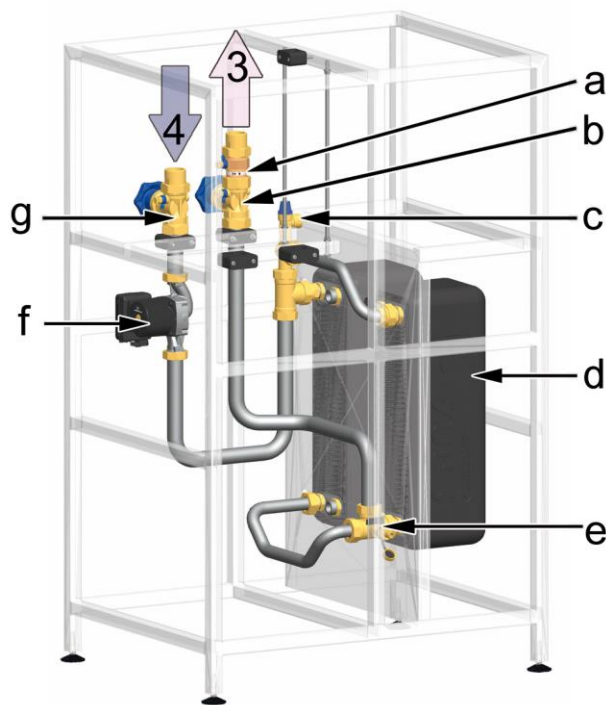


Connections primary circuit

- 1 Flow from the collector
- 2 Return to the collector

Equipment primary circuit

- A Safety group with pressure relief valve 6 bars, pressure gauge and connection for expansion tank
- B Flow ball valve with fill and drain valve
- C Check valve
- D Vent plug (manual vent valve)
- E Heat exchanger (2x)
- F Airstop with manual vent valve
- G Drain valve
- H Temperature sensor Pt1000-B
- I FlowRotor with Hall sensor
- J Primary pump
- K Check valve
- L Return ball valve with fill and drain valve



Connections secondary circuit

- 3 Flow to the storage tank (hot)
- 4 Return from the storage tank (cold)

Equipment secondary circuit

- a Non return valve
- b Piston valve with drain valve
- c Pressure relief valve 10 bars, suitable for domestic hot water

**Only for the protection of the station.
Does not replace the pressure relief valve that has to be mounted on site!**

- d Heat exchanger (2x)
- e Drain valve
- f Secondary pump
- g Piston valve with drain valve

4 Assembly and installation [specialist]

The location of installation must be dry, load-carrying and frost-proof. Furthermore, the access to the control and safety equipment must be guaranteed at all time during operation!

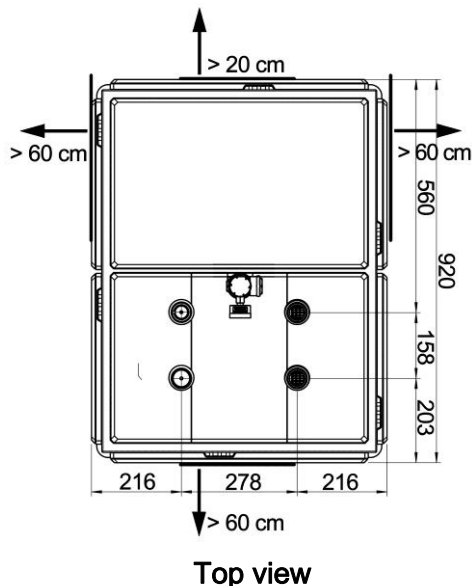
The discharge line of the safety equipment should be guided into a heat-resistant container with corresponding size. This allows you to avoid uncontrolled discharging into the environment and to easily refill the circuits!

NOTICE


Material damage due to high temperatures!

Install the fitting group at a sufficient distance from the collector field, since the solar fluid may be very hot near the collector.

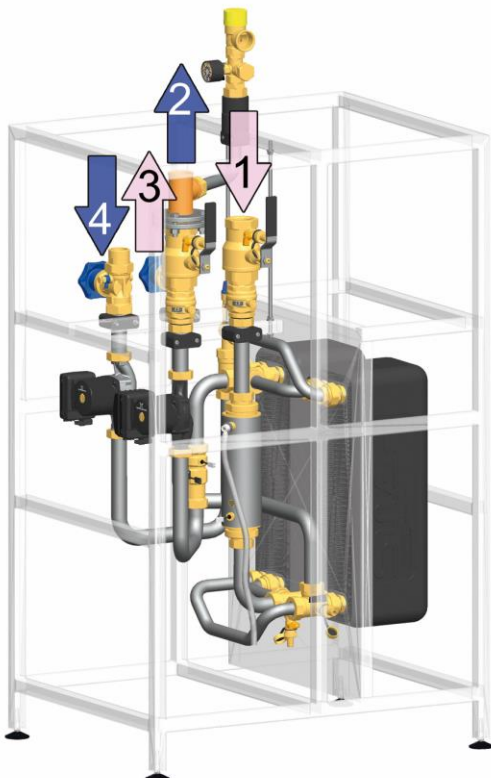
It may be necessary to install an intermediate tank in order to protect the expansion tank.



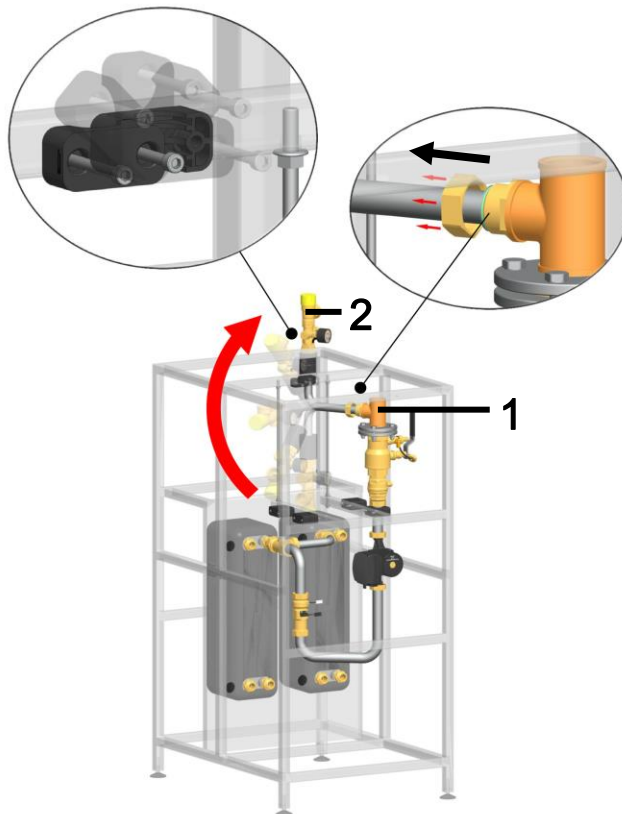
1. Determine the mounting location of the transfer station near the buffer tank.
In long pipes the transmission performance may be reduced due to pressure drops.
2. Remove the station from the packaging.
3. Remove the station from the pallet and transport it to the location of installation.
4. Mount the enclosed stand feet in order to compensate the unevenness of the floor.
5. The station can be mounted in a corner. If you want to pull off the insulation shells, you have to leave a space of about 20 cm to the wall (see figure).
6. For the operation of the hydraulics and a subsequent servicing you have to leave a space of minimum 60 cm to the front (controller) and to one of the sides (see figure).

	! WARNING
	<p>Personal injury due to polluted potable water!</p> <p>The heating water contains harmful substances, that must not be washed into the domestic hot water circuit.</p> <p>If the station was used for charging a buffer tank there is still, after draining, heating water in the valves and fittings and in the pump of the secondary circuit. It can not be removed without residue.</p> <p>➤ The station must not be connected to a domestic hot water circuit.</p>

7. Connect the transfer station with the installation as shown in the figure below. When the station is delivered the ball valves and the piston valves are closed in order to protect it against dirt. Before connecting the pipes make sure that they are free from dirt.



- 1 **Primary side: Flow to the collector**
Connection SolexMega TW: 1½" internal thread
- 2 **Primary side: Return to the collector**
Connection SolexMega TW: 1½" internal thread
- 3 **Secondary side: Flow to the storage tank (hot)**
Connection SolexMega TW: 1½" external thread
- 4 **Secondary side: Return from the storage tank (cold)**
Connection SolexMega TW: 1½" external thread



8. In order to prevent damage at the safety group, it is mounted in the station in factory.

Commission the safety group as follows:

- a. Unscrew the pipe at the connecting T-piece (1) of the solar return.
- b. Mount the pipe at the T-piece (1) with the pressure relief valve (2) in a vertical position.
- c. Fix the pipe with the plastic clamp at the frame (see figure).

9. Connect the expansion tank below the pressure gauge.

10. During servicing at the expansion tank, we recommend the installation of a cap valve (item no. 5301) on the expansion tank.



NOTICE

Note regarding the expansion tank

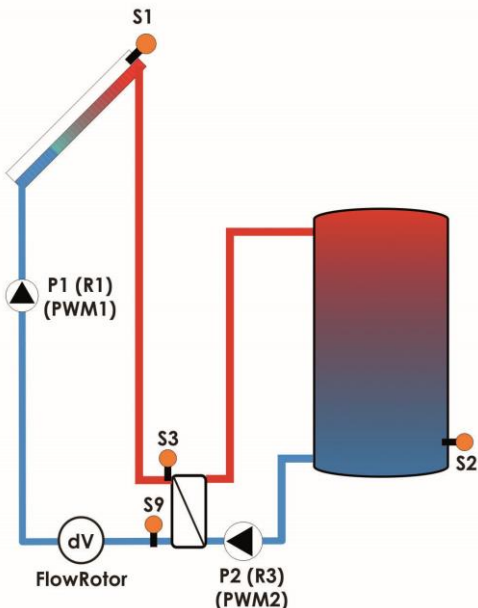
The expansion tank must not be connected while flushing and filling in order to avoid that dirt particles are washed in.

11. Pressurise the expansion tank as specified by the manufacturer and connect the expansion tank. Observe the separate instructions regarding the expansion tank!
12. Check all screw connections and tighten them if necessary.

4.1 Controller connection

	 WARNING
	<p>Risk to life and limb due to electric shock!</p> <ul style="list-style-type: none"> ➤ Prior to commencing electrical work on the controller, pull the mains plug! ➤ Only after completing all installation work, plug the mains plug of the controller into a socket. This avoids an unintentional start of the motors. ➤ The plug-in pump lines are permanently supplied with a mains voltage of 230 V and cannot be switched off via the controller.


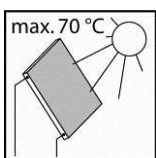
Wiring plan SolexMega TW

Wiring plan 881	
	<p>Observe the separate instructions regarding the controller SC5.14!</p> <ol style="list-style-type: none"> 1. Connect the temperature sensors to the controller: <ul style="list-style-type: none"> • Collector sensor S1 • Storage tank 1, bottom: S2 <li style="padding-left: 20px;">Integrated: S3, S9, (dV) (FlowRotor) 2. Switch off the primary and secondary pump at the controller as long as the system is not flushed and filled.

The assembly of the transfer station is now completed and the station can be put into operation.

5 Commissioning [specialist]

Observe the following safety instructions regarding the commissioning of the station:

! WARNING	
 	<p>Risk of burns and scalding!</p> <p>The fittings can heat up to more than 100 °C. Therefore, do not clean or fill the system with the collectors heated (intense sunshine). Please note that hot solar fluid can leak from the pressure relief valve when the system pressure is too high!</p> <p>During venting the solar fluid may escape as vapour and cause scalding!</p> <ul style="list-style-type: none"> ➤ Only flush and fill the system when the collector temperatures are below 70 °C.

NOTICE

Risk of frost!

It often happens that the solar thermal system cannot be completely drained after flushing. Thus, there is risk of frost damage when flushing with water. Therefore, do only use the solar fluid used later to flush and fill the solar installation.

- Use a water and propylene glycol mixture with max. 50% of propylene glycol as solar fluid.

NOTICE

Note regarding the commissioning

Flush and fill in the following order:

1. Flush the storage tank (to remove scale residues).
2. Fill the storage tank circuit.
3. Vent the heat exchanger by means of the pressure relief valve.
4. Flush and fill the solar circuit of the heat exchanger
5. Flush and fill the collector field
6. Flush and fill the (entire) solar circuit.

This guarantees that the dirt particles are not flushed into the heat exchanger or into the FlowRotor and that eventually absorbed heat can be dissipated.

5.1 Preparations before flushing and filling

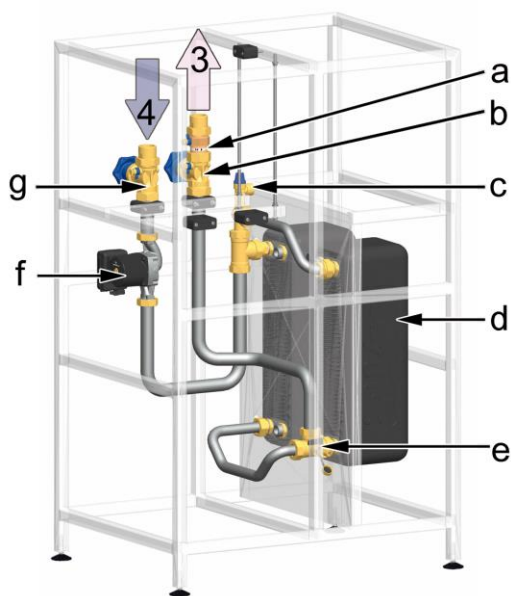
NOTICE

Note regarding the expansion tank

To prevent that the dirt particles in the solar thermal system are flushed into the expansion tank, some manufacturers recommend to disconnect the expansion tank from the solar circuit before flushing and filling. Please observe the instructions of the manufacturer.

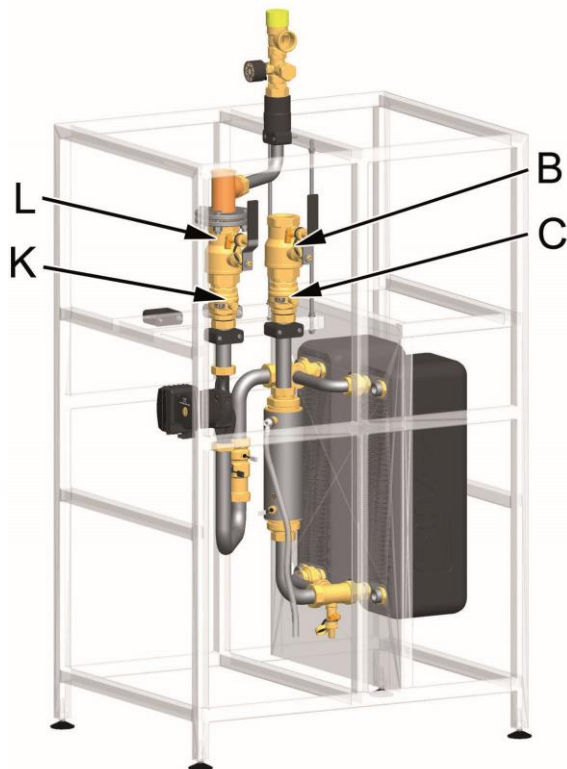
5.2 Flushing and filling the storage tank circuit (connections secondary)

Depending on the application (charging of a storage tank/charging of a buffer tank), the secondary circuit is filled by means of the valves at the tank or by means of the valves at the heating system. Make sure that in the first case above only potable water must be used. In the second case only treated heating water according to VDI 2035 / Ö-Norm H5195-1 must be used. To avoid that dirt particles are washed into the heat exchanger, shut the ball valves of the station and wash out the present dirt particles before commissioning the tank.



Secondary circuit

1. Open the piston valves [b|g].
2. Fill the secondary circuit by means of the valves at the domestic hot water tank or at the heating system.
3. Vent the secondary circuit by operating the pressure relief valve [c].
Make sure that the electrical components do not get wet.
4. Set the required operating pressure after filling the secondary circuit.
5. During operation, vent the station at the pressure relief valve [c] to eliminate air still present in the heat exchanger. It may be necessary to vent the pump (unscrew screw on pump head).

Function check valve

Example: solar circuit

The ball valves [B] and [L] in the primary circuit (see figure) are equipped with check valves [C] and [K] in order to avoid unwanted gravity circulation.

For venting and flushing the installation the check valves must be open.

Turn the opening mechanism of the check valves into **180°** position.

Check valve not operating,

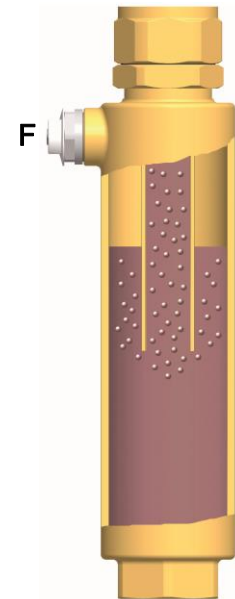
For the operation of the installation all ball valves and valves have to be **completely** open and the check valves have to be put in operating position (position **0°**).

Check valve (normal flow direction in the figure: downwards)

<p>Position 0° Check valve is operating, flow only in direction of flow.</p>	<p>Position 180° Check valve is not operating, flow in both directions.</p>



Airstop

The Airstop with manual vent valve is used to vent the solar installation. To ensure a perfect ventilation of the solar circuit, the flow velocity must be at least 0.3 m/s in the flow line.



Pipe diameter [mm]		Flow rate at 0.3 m/s	
∅ outside	∅ inside	l/h	l/min
15	13	~ 143	~ 2.4
18	16	~ 217	~ 3.6
22	20	~ 339	~ 5.7
28	25	~ 530	~ 8.8
35	32	~ 869	~ 14.5
42	39	~ 1290	~ 21.5
54	50	~ 2121	~ 35.3

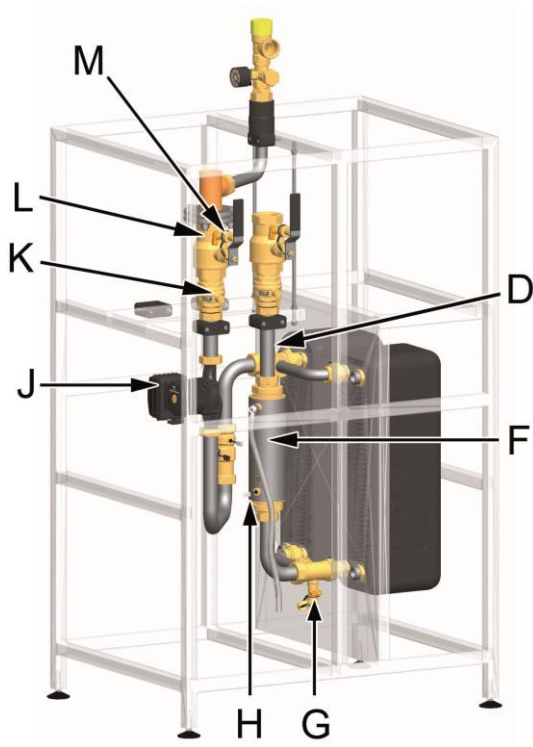
The air separated from the solar fluid is collected in the upper part of the Airstop and can be released at the vent plug [F].

	 WARNING
	<p>Danger of scalding due to vapour escape!</p> <p>The escaping fluid can have a temperature of more than 100 °C and cause scalding.</p> <ul style="list-style-type: none"> ➤ Carefully open the vent plug and close it again, as soon as medium escapes.

Venting the solar thermal system after commissioning

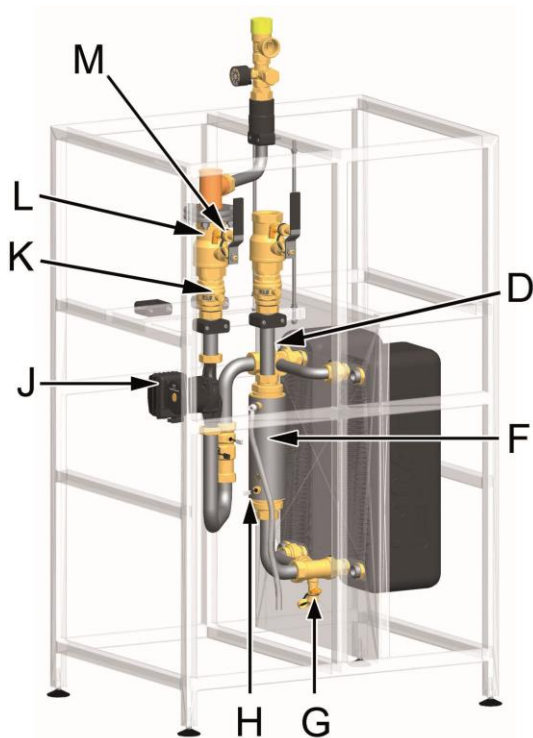
At the beginning, vent the solar installation daily and then weekly or monthly, depending on the vented air quantity. Thus, an optimum operation of the solar installation is ensured. Check the system pressure after venting and increase it to the specified operating pressure, if necessary.

5.3 Flushing and filling the solar circuit (connections primary)





Solar circuit

1. Switch off the pump [J], if necessary (see controller instructions). During filling, make sure that the primary pump [J] is not operating uncontrolled.
2. Disconnect the expansion tank from the solar installation. This avoids the access of dirt particles present in the pipes to the expansion tank. Observe the separate instructions regarding the expansion tank!
3. Connect the flush and fill station:
 - pressure hose to the fill and drain valve [G]
 - flush hose to the fill and drain valve [M] of the return ball valve [L].
4. Open the fill and drain valves [G|M] and put the flush and fill station in operation.
5. Vent the station at the vent valve [D] and at the airstop [F].
6. Close the return ball valve [L] as soon as fluid exits from the flush hose.
7. Fill the installation slowly and vent it at the collector, because the air can only escape slowly. Otherwise the mixture of air and water spreads over the entire circuit.
When you have finished filling the installation, begin flushing it.
8. Slowly open and close the return ball valve [L] during flushing in order to vent the pump section.



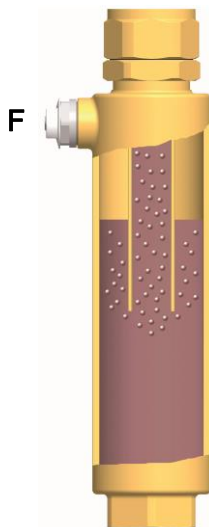
Solar circuit

9. Flush the solar circuit until the solar fluid exits without bubbles.
10. If possible, flush each collector field separately!
11. Close the fill and drain valve [M] with the filling pump running and increase the system pressure to about 5 bars. The system pressure can be read on the pressure gauge.
12. Close the fill and drain valve [G] and switch off the pump of the flush and fill station.
13. Vent the primary pump at the vent screw.
14. Check the pressure gauge to see whether the system pressure reduces and eliminate leaks where necessary.
15. Reduce the pressure on the fill and drain valve [M] to the system-specific pressure.
16. Connect the expansion tank to the solar circuit and set the operating pressure of the solar system by means of the flush and fill station (for the required operating pressure, see instructions of the expansion tank).
17. Close the fill and drain valves [G|M].
18. Open the return ball valve [L].

	 WARNING
<p>Risk to life and limb due to electric shock!</p> <ul style="list-style-type: none"> ➤ Check if the sensors and the pumps are properly connected to the controller and if the controller housing is closed. <p>Only then should the mains plug of the controller be plugged into a socket.</p>	



SC5.14



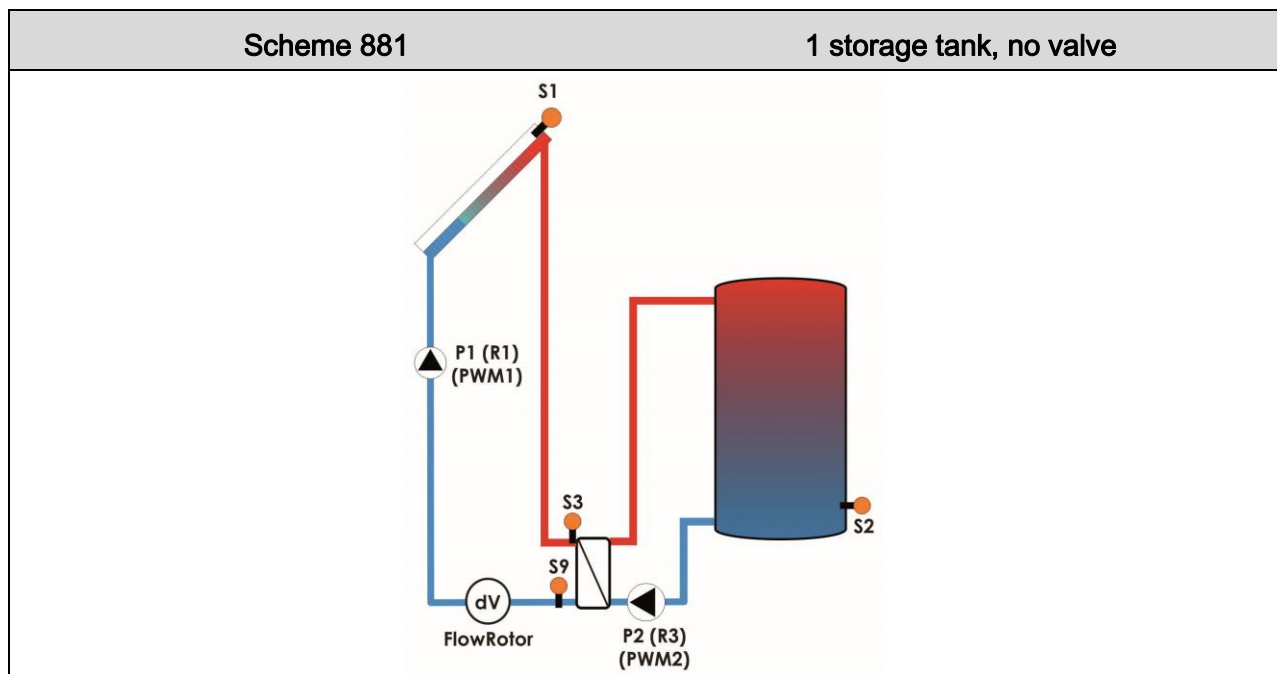
19. Connect the controller to the mains and set the solar circuit pump in the manual mode to ON according to the controller instructions.
20. Let the solar circuit pump run at maximum rotation speed for at least 15 minutes. Meanwhile vent the solar installation several times at the vent plug [F] of the Airstop until the solar fluid exits without bubbles (see page 17).
21. If necessary, increase the system pressure to the operating pressure.
22. Remove the hoses of the flush and fill station and screw the sealing caps onto the fill and drain valves. The sealing caps only serve to protect the valves against dirt. They are not designed to take up high system pressures. The ball valves must be closed.
23. Mount the insulation.
24. Set to automatic mode on the controller (see controller instructions).

The commissioning of the solar installation is now completed. Please fill in completely the commissioning report on page 31.

5.4 Parameter: SolexMega with controller SC5.14



The parameters for the sensors and pumps are preset in the controller. If you select and save another system, the parameters are reset to the factory setting. In this case you need to set the following parameters in the menu. In this way you make sure that the installation will work properly. You can find a detailed description for the operation of the controller in the separate controller manual.

Preset system SolexMega TW:



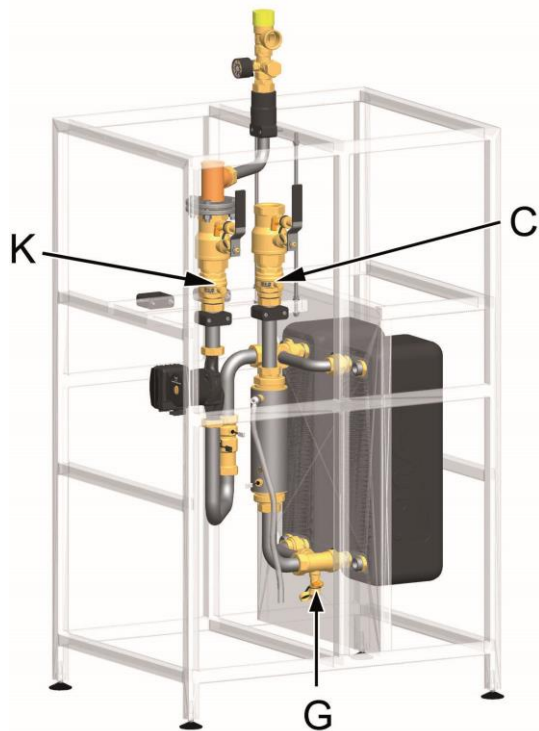
6 Maintenance [specialist]

Make sure that the system is not under pressure and shut off the expansion tank during service and maintenance works at the station.



	 WARNING
	<p>Risk of burns and scalding!</p> <p>The valves, fittings and solar fluid can reach temperatures of more than 100 °C. The solar fluid can escape as vapour and cause scalding.</p> <ul style="list-style-type: none"> ➤ Only carry out maintenance work when the collector temperatures are below 50 °C. ➤ Wait until the solar fluid has cooled down to max. 50 °C.

1. Switch off the controller and make sure that a restart is not possible.
2. Close the shutoff valves in the station and drain the solar fluid or the potable water.
Make sure that the solar fluid is collected in a heat-resistant container.
3. Change the faulty part against the new part.
4. Fill the installation as described in **5 Commissioning [specialist]** (see page 14).

6.1 Draining the solar station



1. Switch off the controller and make sure that a restart is not possible.
2. Open the check valves [C|K] in the flow and return ball valve by turning them to position **180°** (see page 16).
3. Connect a heat-resistant hose to the fill and drain valve [G] of the transfer station.
Make sure that the solar fluid is collected in a heat-resistant container.

	 WARNING
<p>Danger of scalding due to hot solar fluid!</p> <p>The escaping fluid may be very hot.</p> <ul style="list-style-type: none"> ➤ Place the collecting container so that people standing nearby are not endangered when the solar installation is being emptied. 	

4. Open the fill and drain valve [G] of the transfer station.
5. To accelerate draining of the solar circuit, you can open the vent valve, if present, at the highest point of the solar thermal system.
6. Dispose of the solar fluid observing the local regulations.

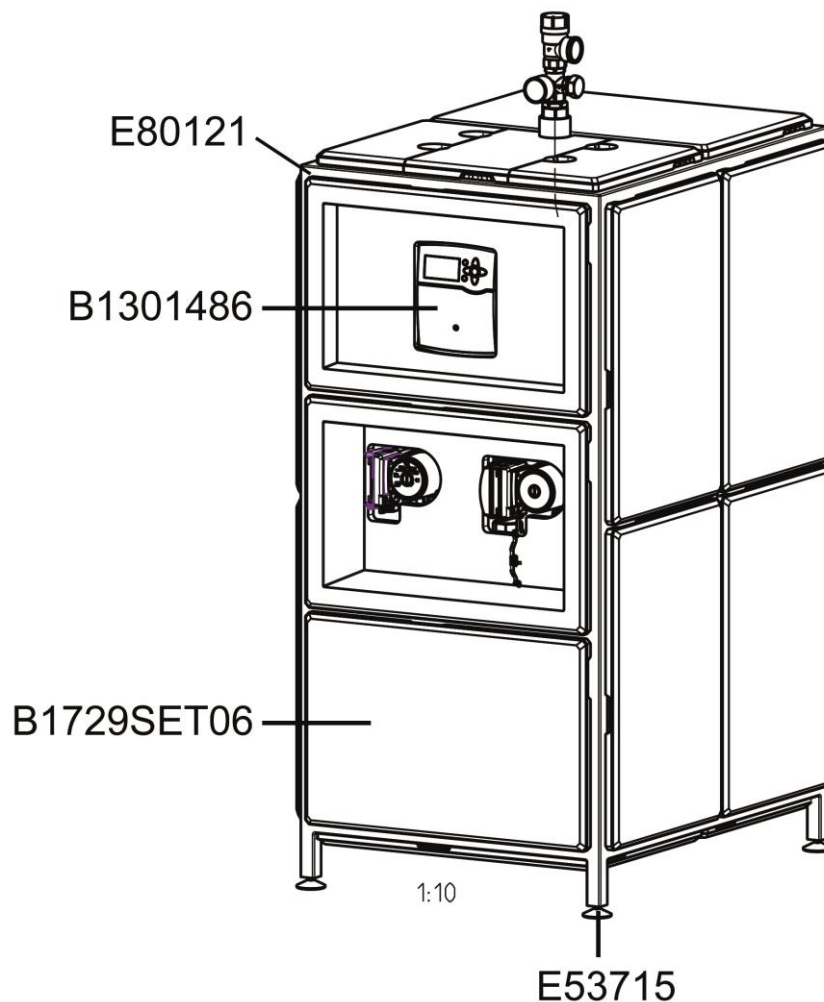
7 Spare parts [specialist]

NOTICE

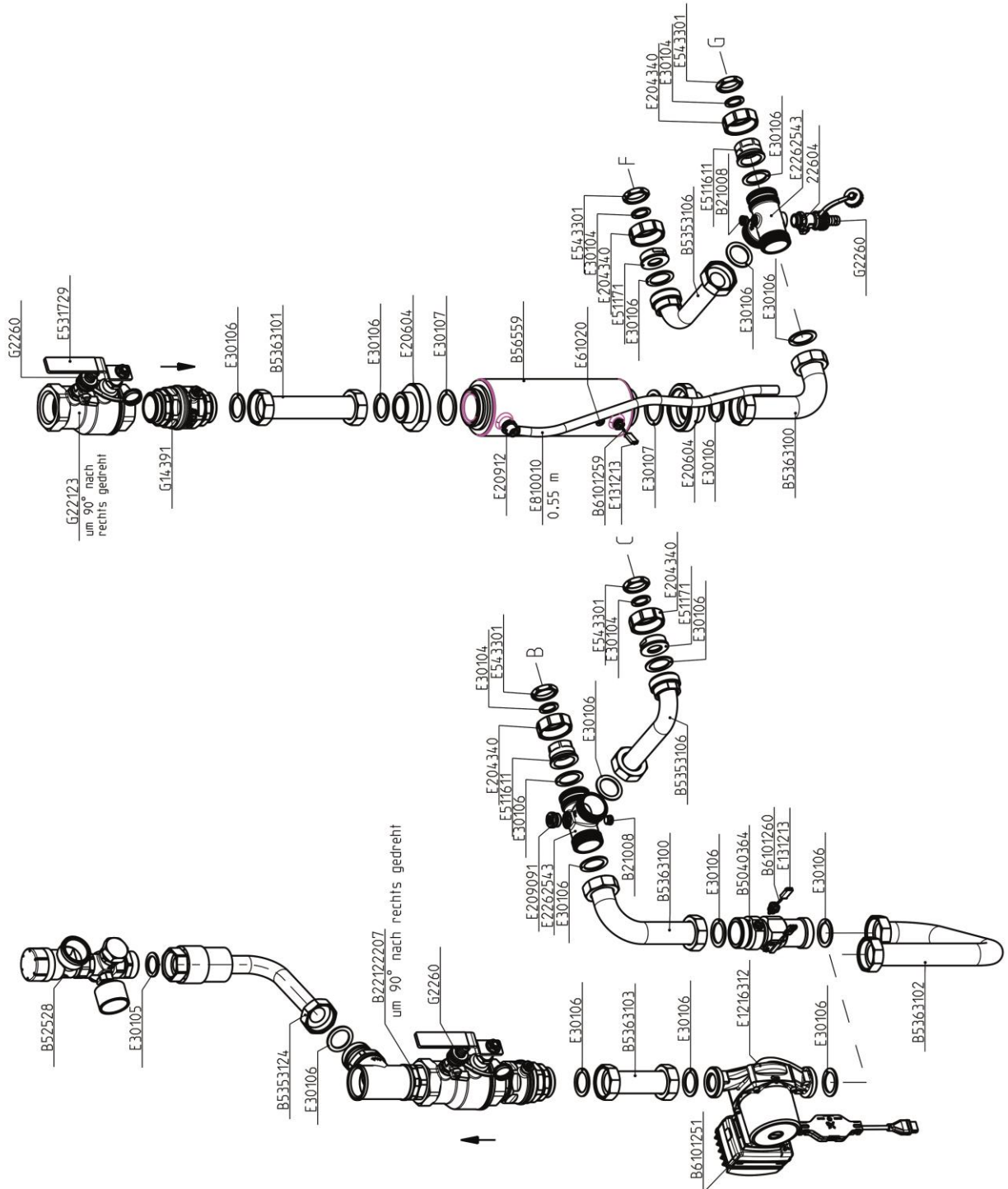
Complaints and requests/orders of spare parts will only be processed with information on the serial number! The serial number is placed in the upper right corner of the support sheet in the station.

- In case of a complaint, please send us the completely filled commissioning report on page 31.

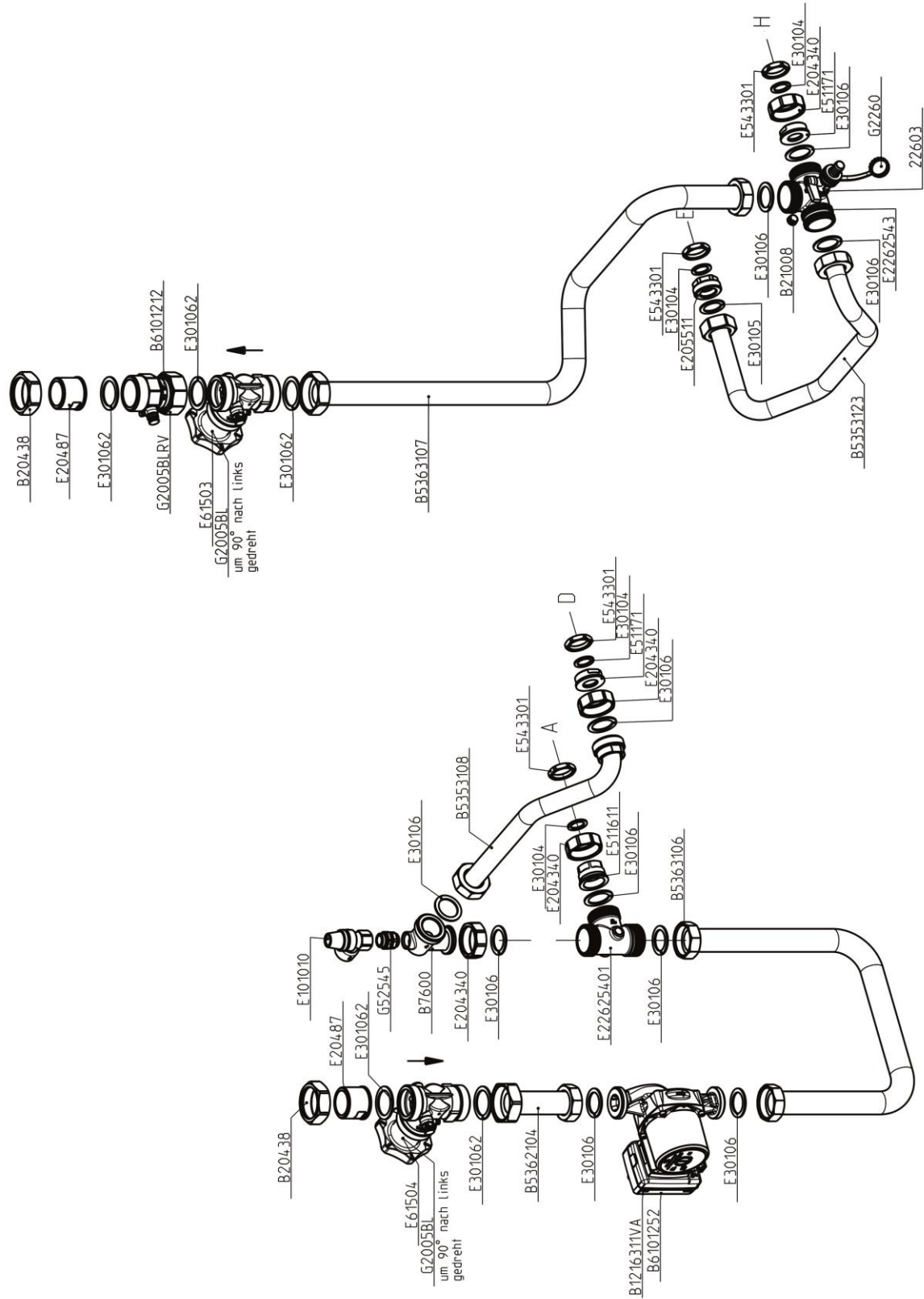
7.1 Controller and insulation



7.2 Hydraulics primary circuit



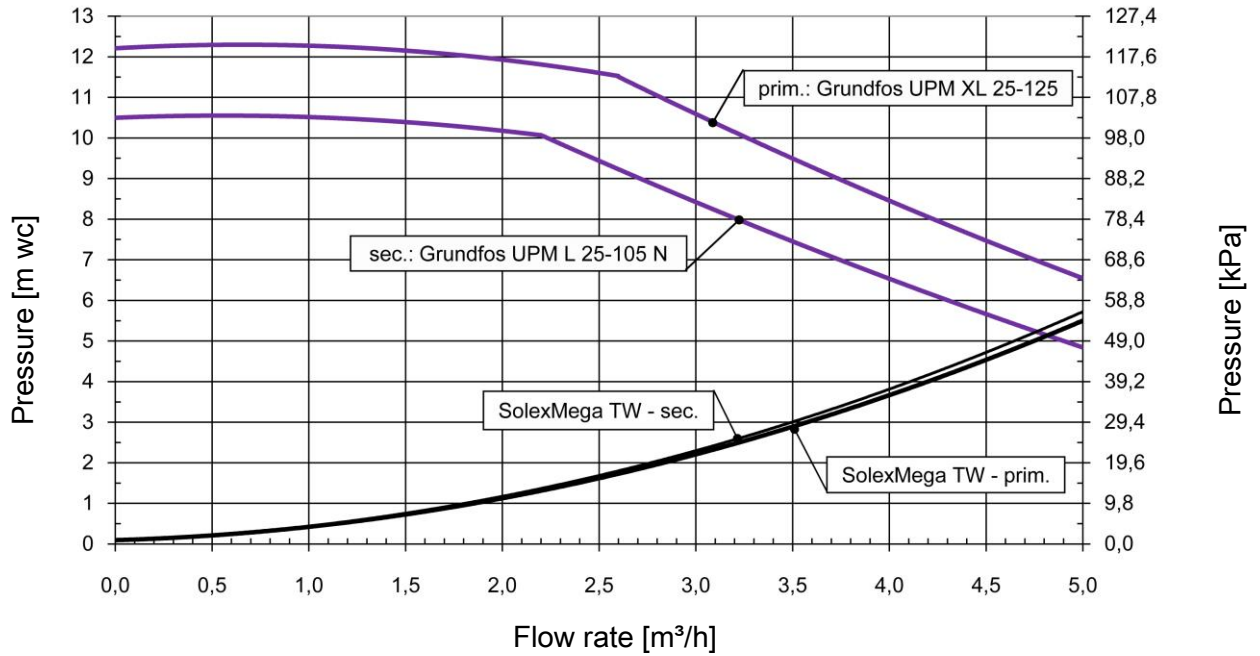
7.3 Hydraulics secondary circuit



8 Technical data

Dimensions	SolexMega TW
Height (total)	1649 mm + change of the stand feet approx. 15 mm
Width (total)	710 mm
Depth (total)	920 mm
Centre distance primary circuit	158 mm
Centre distance secondary circuit	158 mm
Pipe connections primary circuit	1½" internal thread
Pipe connections secondary circuit	1½" external thread
Connection for expansion tank	1" external thread, flat sealing
Outlet pressure relief valve	primary: 1" internal thread / secondary: ¾" internal thread
Operating data	
Max. admissible pressure	prim.: 6 bars / sec.: 10 bars
Max. operating temperature	prim.: 120 °C / sec.: 95 °C
Max. stagnation temperature	140 °C primary
Max. propylene glycol content	50 %
Operating temperature sensors	-25 °C to +120 °C
Equipment	
Pressure relief valve	prim.: 6 bars / sec.: 10 bars
Pressure gauge	0-6 bars (primary)
Flow rate measurement device	FlowRotor, measuring range: 5-130 l/min, 55 Imp./litre
Sensors	2 x PT1000-B (mounted)
Check valves	prim.: 2 x 250 mm wc, can be opened
Material	
Valves and fittings	Brass
Gaskets	EPDM or AFM 34, asbestos-free
Check valves	Brass
Insulation station	EPP, $\lambda = 0.039 \text{ W/(m K)}$
Insulation heat exchanger	EPP, $\lambda = 0.035 \text{ W/(m K)}$

8.1 Pressure drop characteristic curve SolexMega TW



9 Function: Check valves [specialist]

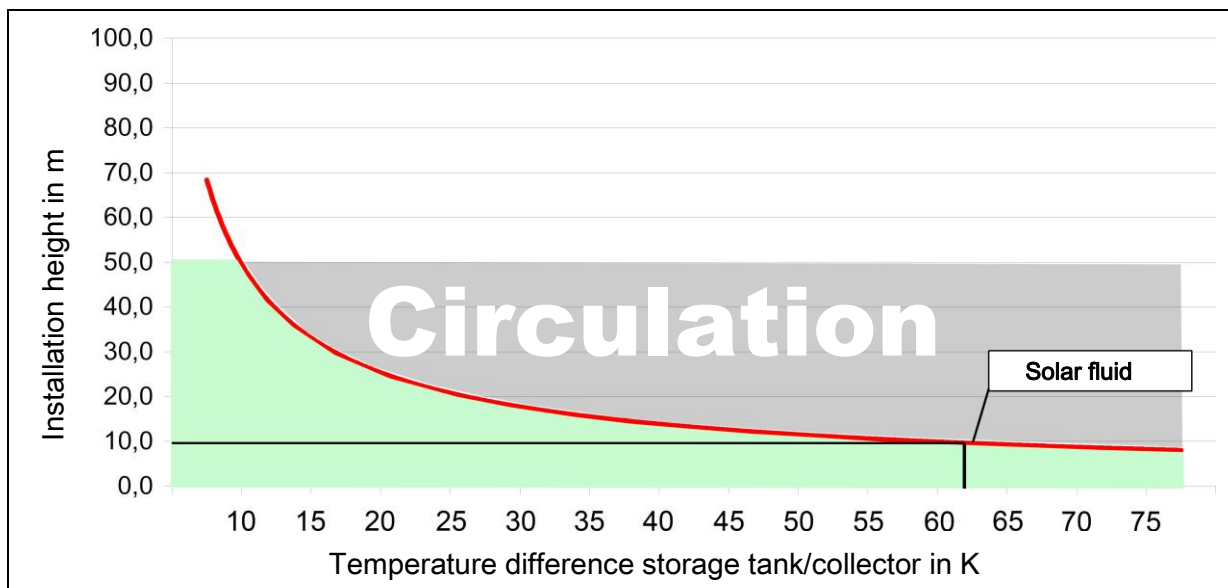
Within their application range, the check valves in this station prevent unwanted gravity circulation. The efficiency of the check valves depends on:

- the installation height
- the temperature difference between the storage tank and the collector
- the type of heat transfer medium

In the diagram below you can see whether the check valves integrated in the station are sufficient. If the check valves are not sufficient, you need to install additional components to prevent gravity circulation. You can mount components such as syphons ("heat traps"), 2-way valves (zone valves) or additional check valves.

Example:

- The station comprises two check valves (2 x 200 mm wc = 400 mm wc).
- You use a mixture of water and 40% of propylene glycol as a **solar fluid**.
- The installation height between the collector and the storage tank is 10 m.



Result:

The check valves prevent gravity circulation up to a temperature difference of **about 62 K**. If the temperature difference between the collector and the tank is larger, the difference in density of the solar fluid will be so large, that the check valves are pushed open.



Do you wish to get further information?

The density of the solar fluid decreases with rising temperature. In high installations with large temperature differences, the difference in density will cause gravity circulation. This circulation can cool down the storage tank.

Calculation example: $\Delta p = \Delta \rho \cdot g \cdot h$

Collector temperature: 5 °C → Density solar fluid $\rho_1 = 1042 \text{ kg/m}^3$

Tank temperature: 67 °C → Density solar fluid $\rho_2 = 1002.5 \text{ kg/m}^3$

$\Delta \rho = \rho_1 - \rho_2 = 39.5 \text{ kg/m}^3$

$g = 9.81 \text{ m/s}^2$

Installation height $h = 10 \text{ m}$

$\Delta p = 3875 \text{ Pa} = 395 \text{ mm wc}$

The two check valves in the station (2 x 200 mm wc) are sufficient for an installation height of 10 m and a temperature difference between the collector and the tank of up to 62 K.



10 Commissioning report

Installation operator _____

Location of installation _____

Collectors (number / type) _____

Collector surface _____ m²

Installation height _____ m (Difference in height between station and collector field)

Pipes $\varnothing =$ _____ mm | = _____ m

Venting (collector field) Not existent Vented
 Manual vent valve Automatic vent valve

Airstop (station) Vented

Solar fluid (type) _____ % glycol

Antifreeze (tested up to): _____ °C

Flow rate _____ l/min

Pump (type) _____

System pressure _____ bars

Expansion tank (type) _____

Initial pressure _____ bars

Pressure relief valve Checked

Check valves Checked

Serial numbers	
Station	
Flow rate sensor	
Temperature sensor	
Controller	
Software version	

Plumbing company _____

Date, Signature _____

PAW GmbH & Co. KG
Böcklerstraße 11
D-31789 Hameln, Germany

www.paw.eu
Phone: +49 (0) 5151 9856 - 0
Fax: +49 (0) 5151 9856 - 98