



PAW valve series PV3

Technical data and product information



PAW valve series PV3

- for demanding application conditions
- simple installation thanks to stop bolts
- flexible application areas:
return stratification in the buffer tank
- switch valve for zone/storage tank charging
- management of various heat generators
(switching or activating)
- possible ambient temperatures
up to 70 °C

NEW



Advantages PV3:

- change of direction of rotation → flexibility
- actuator with snap-in assembly → quick installation
- leakage rate A according to DIN EN 12266-1
- ambient temperatures up to 70 °C
- short switching time and high Kvs values

Simple change of direction of rotation

The direction of rotation of the actuator can be easily changed

- 1.) pull off the cover
- 2.) shift the jumper

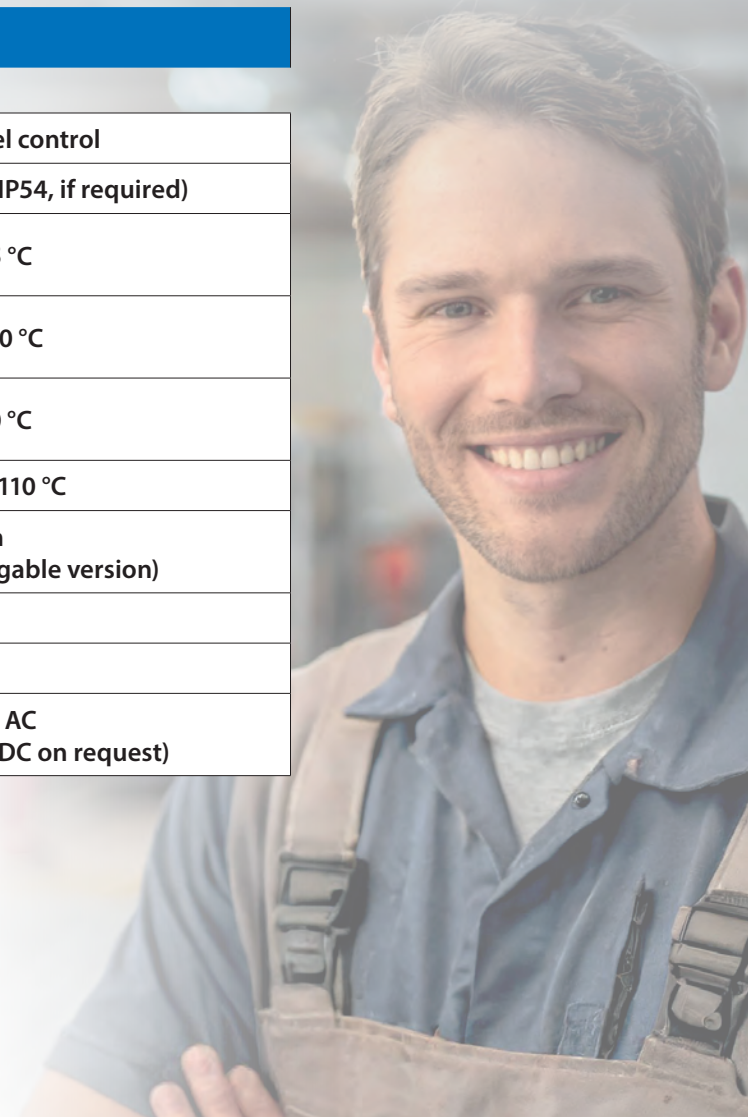


Valve

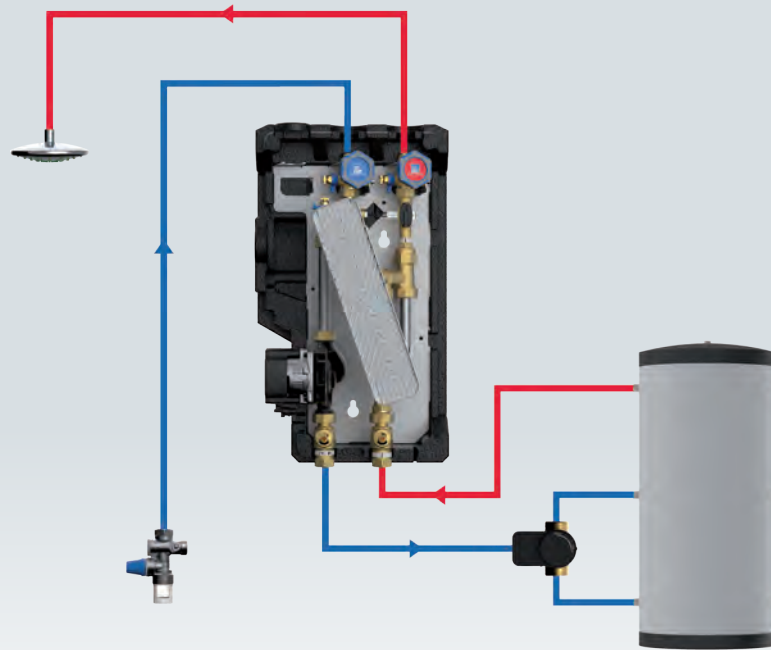
Nominal diameter	DN 25
Pressure level	PN 16
Kvs value	15.5 m³/h
Material	CW612N (CuZn39Pb2)
O-rings	EPDM; Viton; PTFE
Type	L-type ball
Installation of actuator	Rotation lock with spring element holder

Actuator

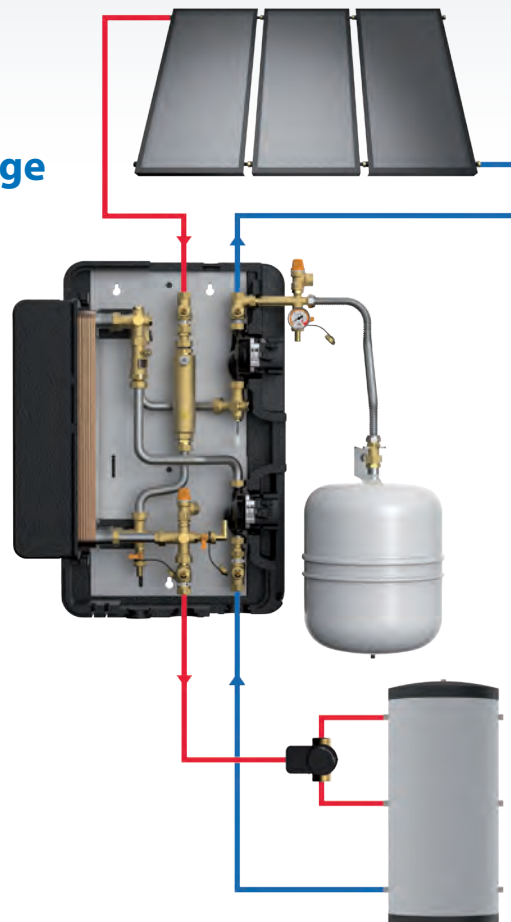
Control signal	2-level control
Protection class	IP42 (IP54, if required)
Medium temperature, consecutive	0 – 95 °C
Medium temperature, temporary	0 – 110 °C
Ambient temperature, temporary	0 – 70 °C
Operating temperature	max. 110 °C
Cable length	1–3 m (pluggable version)
Torque	5 Nm
Switching time	13 s
Power supply	230 V AC (24 V DC on request)



- Return stratification in the buffer tank

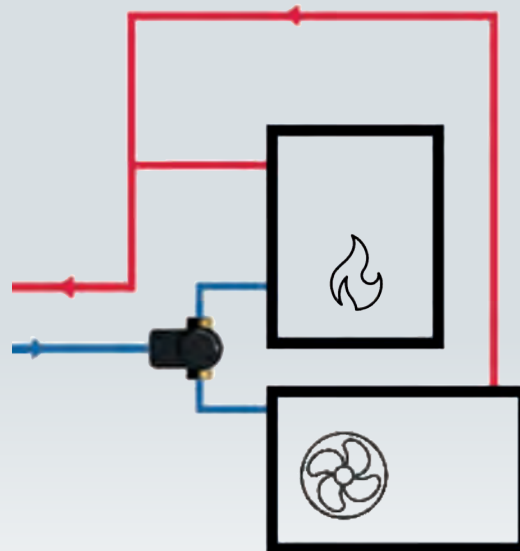


- Switch valve for zone/storage tank charging

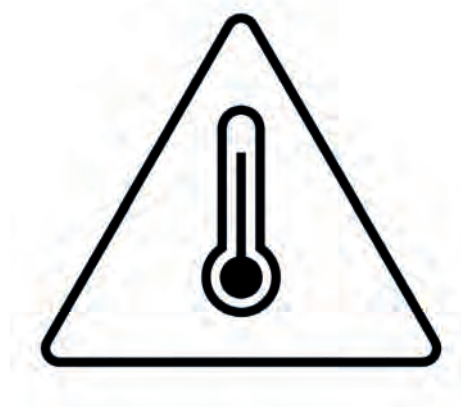




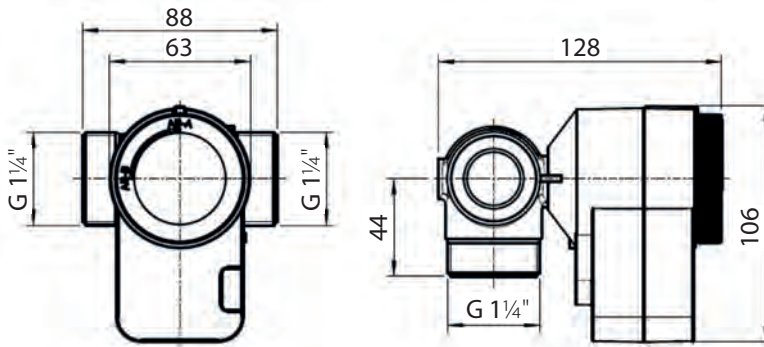
- **Management of various heat generators (switching or activating)**



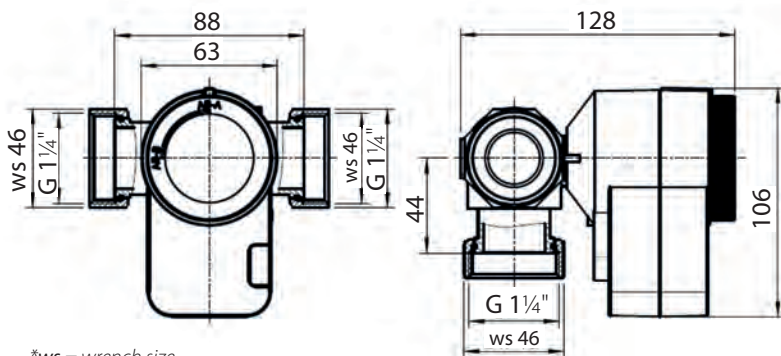
- **Possible ambient temperatures up to 70 °C (medium temperature up to 85 °C)**



- 3x G 1¼" external thread
- Kvs 15.5 m³/h
- item no. 5675431



- 3x G 1¼" union nut
- Kvs 15.5 m³/h
- item no.. 5675432



*ws = wrench size





PAW GmbH & Co. KG

Böcklerstraße 11

31789 Hameln

Germany

+49-5151-9856-0

+49-5151-9856-98

info@paw.eu

www.paw.eu



99567543x-fly-en • Version: V01 • Issued: 2025/01
Printed in Germany • We reserve the right to make
technical changes without notice!